



WELDING
TORCHES

TIG

ELECTRICALS

ELECTRICALS

SR-9 123 - 126

SR-17 127 - 130

SR-26 131 - 134

SR-20W 135 - 138

SR-18W 139 - 142

210 143 - 146

226 147 - 150

424/428 151 - 154

WELDING
TORCHES

LITTLE TIG
electrical

TIG
SR-9



optional:
LEVER SWITCH

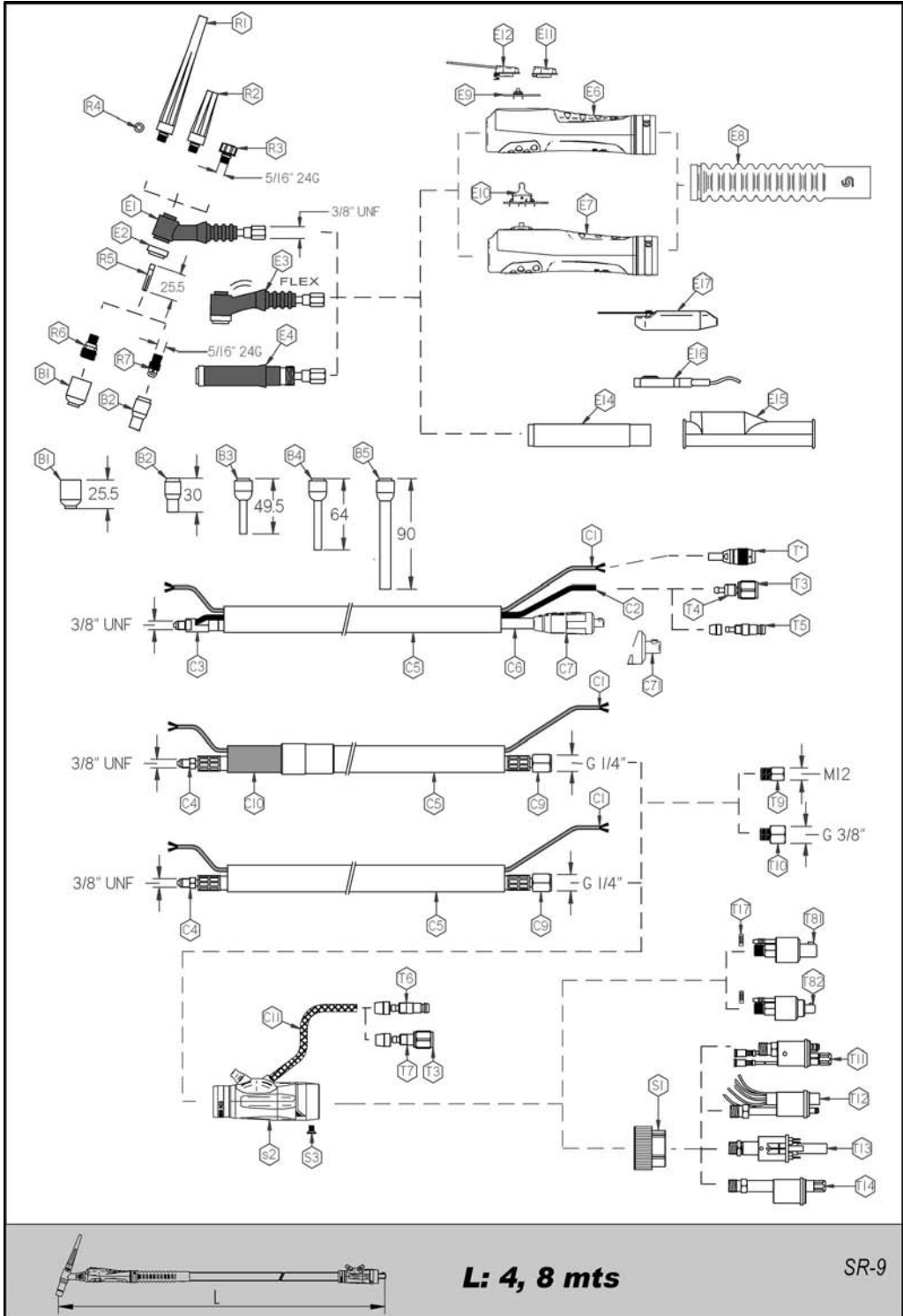
GUIDANCE METHODE	MANUAL		
PROCESS TYPE	TIG		
COOLING TYPE	GAS		
TUNGSTEN DIAMETER	0,5 - 1,6 mm		
GAS VOLUME	3 - 7 l/min		
STRAIN COMPLIES WITH TO	UNE-EN 60974/1		
	113V DC		
TORCH LENGTH	4, 8 m		
ELECTRICAL CONTROL ACTIVATION	MICROSWITCH 50 mA -24V		
TEST ACCORDING TO RULES	EN 60974-7		
RATING	DC	AC	
RATING 100%	85A	73A	
RATING 60%	110A	95A	



EN 60974-7

WELDING
TORCHES
LITTLE TIG
electrical

TIG
SR-9



POS.	CODE	DESCRIPTION		PACKING
	252090104	BITUBE TORCH	SR-09 LITTLE TIG 4 MTRS 10/25	1
	252090108	BITUBE TORCH	SR-09 LITTLE TIG 8 MTRS 10/25	1
	252090204	BITUBE FLEXIBLE TORCH	SR-09 LITTLE TIG 4 MTRS 10/25	1
	252090208	BITUBE FLEXIBLE TORCH	SR-09 LITTLE TIG 8 MTRS 10/25	1
	252090304	COAXIAL TORCH	SR-09 LITTLE TIG 4 MTRS 10/25	1
	252090308	COAXIAL TORCH	SR-09 LITTLE TIG 8 MTRS 10/25	1
	252090404	COAXIAL TORCH CENTRAL CONNECTOR	SR-09 LITTLE TIG 4 MTRS. C.C.	1
	252090408	COAXIAL TORCH CENTRAL CONNECTOR	SR-09 LITTLE TIG 8 MTRS C.C	1
	252090504	COAXIAL SKIN TORCH	SR-09 LITTLE TIG 4 MTRS 10/25	1
	252090508	COAXIAL SKIN TORCHE	SR-09 LITTLE TIG 8 MTRS 10/25	1
	253090304	COAXIAL TORCH 4 SWITCHES	SR-09 LITTLE TIG 4 MTRS. 10/25	1
	253090308	COAXIAL TORCH 4 SWITCHES	SR-09 LITTLE TIG 8 MTRS. 10/25	1
R-1	209TPLG	BACK CAP LONG	SR-9/20W -41V24-	5
R-2	209TPMN	BACK CAP MEDIUM	SR-9/20W -41V35-	5
R-3	209TPCT	BACK CAP SHORT	SR-9/20W -41V33-	5
R-5	209PZ10	COLLET Ø1'0MM.	SR-9/20W -13N21- .040"	5
	209PZ16	COLLET Ø1'6MM.	SR-9/20W -13N22- 1/16"	5
	209PZ20	COLLET Ø2'0MM.	SR-9/20W	5
	209PZ24	COLLET Ø2'4MM.	SR-9/20W -13N23- 3/32"	5
	209PZ32	COLLET Ø3'2MM.	SR-9/20W -13N24- 1/8"	5
R-6	209DL10	COLLET BODY Ø1'0MM. GAS LENS	SR-9/20W -45V42- .040"	5
	209DL16	COLLET BODY Ø1'6MM. GAS LENS	SR-9/20W -45V43- 1/16"	5
	209DL20	COLLET BODY Ø2'0MM. GAS LENS	SR-9/20W	5
	209DL24	COLLET BODY Ø2'4MM. GAS LENS	SR-9/20W -45V44- 3/32"	5
	209DL32	COLLET BODY Ø3'2MM. GAS LENS	SR-9/20W -45V45- 1/8"	5
R-7	209DI10	COLLET BODY Ø1'0MM.	SR-9/20W -13N26- .040"	5
	209DI16	COLLET BODY Ø1'6MM.	SR-9/20W -13N27- 1/16"	5
	209DI20	COLLET BODY Ø2'0MM.	SR-9/20W	5
	209DI24	COLLET BODY Ø2'4MM.	SR-9/20W -13N28- 3/32"	5
	209DI32	COLLET BODY Ø3'2MM.	SR-9/20W -13N29- 1/8"	5
E-1	209EL01	TORCH BODY ELECTRIC	SR-9	1
E-2	20903	INSULATOR	SR-9/20W -598882-	5
E-3	209EL01F	TORCH BODY ELECTRIC FLEXIBLE	SR-9	1
E-4	209EL01L	TORCH BODY ELECTRIC PENCIL	SR-9P	1
E-6	20001011	HANDLE 1 TRIGGER	LITTLE TIG SR9/17/20W	1
E-7	20001014	HANDLE 4 TRIGGERS	LITTLE TIG SR9/17/20W	1
E-8	2000106	ELECTRICAL HANDEL MANTLE	LITTLE TIG	1
E-9	20001021	MICROSWITCH 1	LITTLE TIG	5
E-10	20001032	COMPLETE TRIGGER 4P	LITTLE TIG	1
E-11	20001031	1-SWITCH HANDLE SWITCH	LITTLE TIG	5
E-12	20001033	HANDLE SWITCH	LITTLE TIG	1
E-14	2179901	CILINDRIC HANDLE	SR-9/17/20W -105Z55-	1
E-15	217EL02	FLAT MICRO LINER	SR-9/9V/17/17V/20W -807664-BS1	1
E-16	29902	MICROSWITCH FLAT TIG	-SW1F-	5
E-17	299022	HANDLE SWITCH	-SW4-25-	1
B-1	209NL58	CERAMIC CUP GAS LENS	SR-9/20W -53N58- #4	10
	209NL59	CERAMIC CUP GAS LENS	SR-9/20W -53N59- #5	10
	209NL60	CERAMIC CUP GAS LENS	SR-9/20W -53N60- #6	10
	209NL61	CERAMIC CUP GAS LENS	SR-9/20W -53N61- #7	10
B-2	209NN08	CERAMIC CUP	SR-9/20W -13N08- #4	10
	209NN09	CERAMIC CUP	SR-9/20W -13N09- #5	10

POS.	CODE	DESCRIPTION		PACKING
	209NN10	CERAMIC CUP	SR-9/20W -13N10- #6	10
	209NN11	CERAMIC CUP	SR-9/20W -13N11- #7	10
	209NN12	CERAMIC CUP	SR-9/20W -13N12- #8	10
	209NN13	CERAMIC CUP	SR-9/20W -13N13- #10	10
B-3	209NN07L	CERAMIC CUP LONG	SR-9/20W -796F70- #3	10
	209NN08L	CERAMIC CUP LONG	SR-9/20W -796F71- #4	10
	209NN09L	CERAMIC CUP LONG	SR-9/20W -796F72- #5	10
	209NN10L	CERAMIC CUP LONG	SR-9/20W -796F73- #6	10
B-4	209NN07LE	CERAMIC CUP LONG SPECIAL	SR-9/20W -796F74- #3	10
	209NN08LE	CERAMIC CUP LONG SPECIAL	SR-9/20W -796F75- #4	10
	209NN09LE	CERAMIC CUP LONG SPECIAL	SR-9/20W -796F76- #5	10
	209NN10LE	CERAMIC CUP LONG SPECIAL	SR-9/20W -796F77- #6	10
C-1	0299CB	BIPOLAR CABLE Ø0.75 MM	TIG	100
C-2	299TG36	CABLE PVC BLACK FOR MTRS.	Ø3*6MM.	100
C-3	217CX88	PLUG CABLE FRONT	SR-9/9V/17/17V	5
C-4	5170116	LEADING CONEX. C/A	16MM2 SR-17/17V	5
C-5	08F2225	LINING EXTERIOR	IMPACT SR-26V/SR-18WV	40
C-6	4CS16	POWER CABLE	16MM2	100
C-7	4AM1025	CABLE PLUG	10/25.	5 / 25
C-71	4AM3550	CABLE PLUG	35/50.	5 / 10
C-9	5140216	REAR CONEXION C/A TIG	16MM2 1/4G	5
C-10	08F2225P	SKIN LINING	IMPACT SR-26V/SR-18WV	1
C-11	145TG99	COOL HOSE BLACK P.V.C.	Ø5*8MM.	100
T-3	299TG2	REAR NUT GAS TIG NICKEL	1/4GAS	10
T-4	299TG88	REAR NIPPLE GAS TIG	Ø3*6MM.	10
T-5	145TA88A	PLUG FOR CENTRAL CONNECTOR Ø3*6MM.	EM-401W/501W	10
T-6	145TA88	PLUG FOR CENTRAL CONNECTOR Ø5*8MM.	EM-401W/501W	10
T-7	299TG881	REAR NIPPLE GAS TIG	Ø5*8MM.	10
T-81	200002602	COAXIAL CONECTION 35/50 1/4G	LITTLE TIG	1
T-82	200002601	COAXIAL CONECTION 10/25 1/4G	LITTLE TIG	1
T-9	299R1214	REDUCTION TIG	1/4GM - M12/100H	1
	5120216	REAR CONEX. C/A TIG	16MM2 M/12*1	5
T-10	299R3814	REDUCTION TIG	1/4GM - G3/8H	1
	5380216	REAR CONEX C/A TIG	16MM2 3/8G	5
T-11	199MZ	CENTRAL CONNECTOR SPRING PIN	ERGODANI	1
T-12	299MZET	CONNECTION BODY TIG	EURO-TIG	1
T-13	CS7502	CENTRAL ADAPTOR	6 PINS / PLASMA-TIG	1
T-14	299MZLT	CONNECTION BODY TIG	L-TEC	1
T-17	145T095	HOSE CLAMP	-09'5-	10
T-*	299E****	CHECK IN ACCESSORIES	(PLUGS)	1
S-1	2000125	INSERTED NUT	LITTLE TIG	1
S-2	20001242	SUPPORT WATER CONECTION	LITTLE TIG	1
S-3	1EM9MZ1	SCREW CENTRAL CONNECTOR	ERGODANI EM/EX/NEO	10

WELDING
TORCHES

LITTLE TIG
electrical

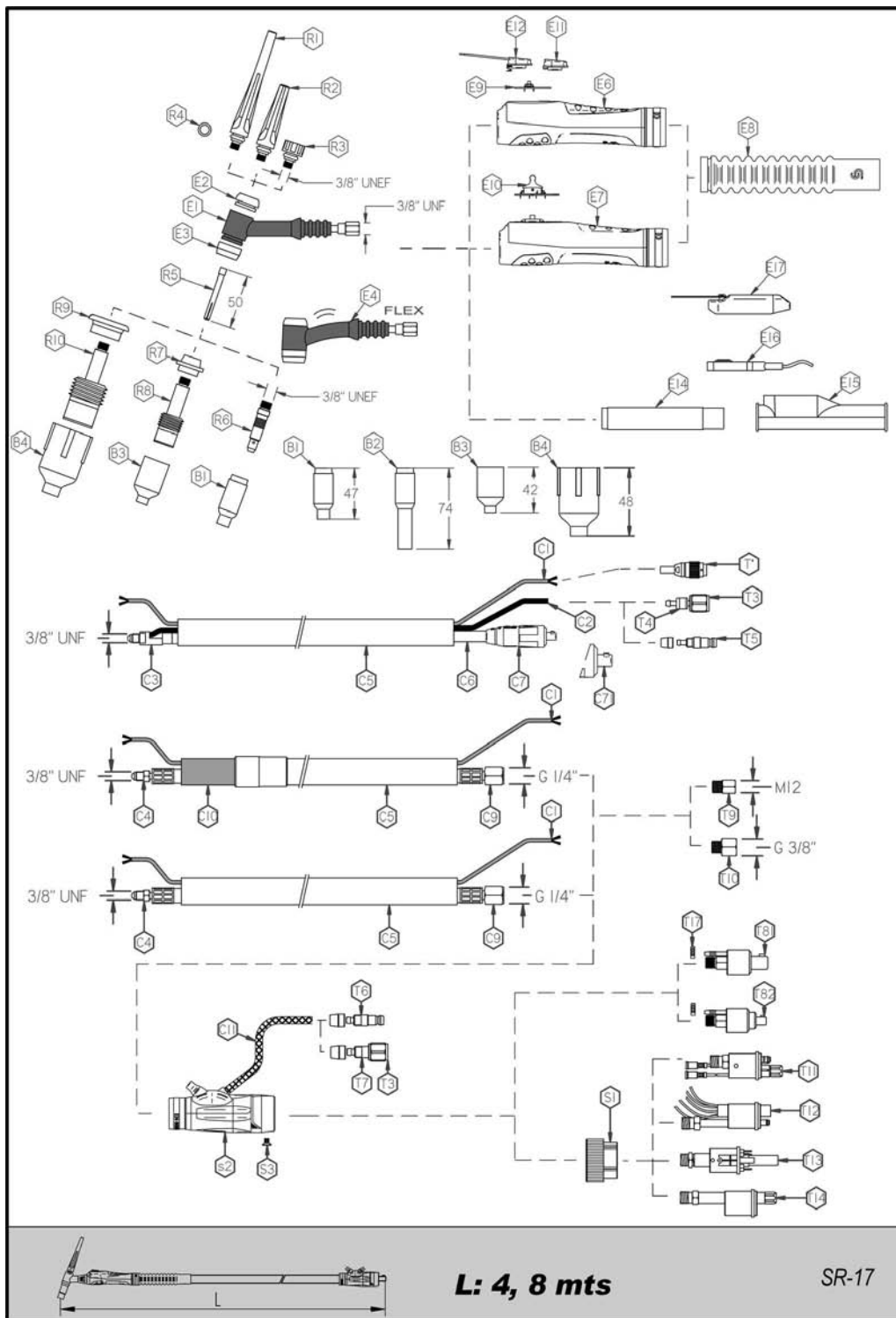
TIG
SR-17



optional:
LEVER SWITCH

GUIDANCE METHODE	MANUAL	
PROCESS TYPE	TIG	
COOLING TYPE	GAS	
TUNGSTEN DIAMETER	0,5 - 2,4 mm	
GAS VOLUME	3 - 7 l/min	
STRAIN COMPLIES WITH TO	UNE-EN 60974/1	
	113V DC	
TORCH LENGTH	4, 8 m	
ELECTRICAL CONTROL ACTIVATION	MICROSWITCH 50 mA -24V	
TEST ACCORDING TO RULES	EN 60974-7	
RATING	DC	AC
RATING 100%	109A	93A
RATING 60%	140A	120A

EN 60974-7



L: 4, 8 mts

SR-17

POS.	CODE	DESCRIPTION		PACKING
	252170104	BITUBE TORCH	SR-17 LITTLE TIG 4 MTRS 35/50	1
	252170108	BITUBE TORCH	SR-17 LITTLE TIG 8 MTRS 35/50	1
	252170204	BITUBE FLEXIBLE TORCH	SR-17 LITTLE TIG 4 MTRS 35/50	1
	252170208	BITUBE FLEXIBLE TORCH	SR-17 LITTLE TIG 8 MTRS 35/50	1
	252170304	COAXIAL TORCH	SR-17 LITTLE TIG 4 MTRS 35/50	1
	252170308	COAXIAL TORCH	SR-17 LITTLE TIG 8 MTRS 35/50	1
	252170404	COAXIAL TORCH CENTRAL CONEXION	SR-17 LITTLE TIG 4 MTRS C.C	1
	252170408	COAXIAL TORCH CENTRAL CONNECTOR	SR-17 LITTLE TIG 8 MTRS. C.C.	1
	252170504	COAXIAL SKIN TORCH	SR-17 LITTLE TIG 4 MTRS 35/50	1
	252170508	COAXIAL SKIN TORCH	SR-17 LITTLE TIG 8 MTRS 35/50	1
	253170304	COAXIAL TORCH 4 SWITCHES	SR-17 LITTLE TIG 4 MTRS 10/25	1
	253170308	COAXIAL TORCH 4 SWITCHES	SR-17 LITTLE TIG 8 MTRS. 10/25	1
R-1	299TPLG	BACK CAP LONG	SR-17-V/18W/26-V -57Y02-	5
R-2	299TPMN	BACK CAP MEDIUM	SR-17-V/18W/26-V -300M-	5
R-3	299TPCT	BACK CAP SHORT	SR-17-V/18W/26-V -57Y04-	5
R-4	299TP01	O-RING CAP TIG	SR-17-V/18W/26-V -98W77-	10
R-5	299PZ10	COLLET Ø1'0MM.	SR-17-V/18W/26-V -10N22- .040"	5
	299PZ16	COLLET Ø1'6MM.	SR-17-V/18W/26-V -10N23- 1/16"	5
	299PZ20	COLLET Ø2'0MM.	SR-17-V/18W/26-V -10N26-	5
	299PZ24	COLLET Ø2'4MM.	SR-17-V/18W/26-V -10N24- 3/32"	5
	299PZ30	COLLET Ø3'0MM.	SR-17-V/18W/26-V	5
	299PZ32	COLLET Ø3'2MM.	SR-17-V/18W/26-V -10N25- 1/8"	5
	299PZ40	COLLET Ø4'0MM.	SR-17-V/18W/26-V -54N20- 5/32"	5
R-6	299DI10	COLLET BODY Ø1'0MM.	SR-17-V/18W/26-V -10N30- .040"	5
	299DI16	COLLET BODY Ø1'6MM.	SR-17-V/18W/26-V -10N31- 1/16"	5
	299DI20	COLLET BODY Ø2'0MM.	SR-17-V/18W/26-V	5
	299DI24	COLLET BODY Ø2'4MM.	SR-17-V/18W/26-V -10N32- 3/32"	5
	299DI30	COLLET BODY Ø3'0MM.	SR-17-V/18W/26-V	5
	299DI32	COLLET BODY Ø3'2MM.	SR-17-V/18W/26-V -10N28- 1/8"	5
	299DI40	COLLET BODY Ø4'0MM.	SR-17-V/18W/26-V	5
R-7	29903GL	INSULATOR FRONT GAS LENS	SR-17-V/18W/26-V -54N01-	5
R-8	299DL10	COLLET BODY Ø1'0MM. GAS LENS	SR-17-V/18W/26-V -45V24- .040"	5
	299DL16	COLLET BODY Ø1'6MM. GAS LENS	SR-17-V/18W/26-V -45V25- 1/16"	5
	299DL20	COLLET BODY Ø2'0MM. GAS LENS	SR-17-V/18W/26-V	5
	299DL24	COLLET BODY Ø2'4MM. GAS LENS	SR-17-V/18W/26-V -45V26- 3/32"	5
	299DL32	COLLET BODY Ø3'2MM. GAS LENS	SR-17-V/18W/26-V -45V27- 1/8"	5
	299DL40	COLLET BODY Ø4'0MM. GAS LENS	SR-17-V/18W/26-V -45V28- 5/32"	5
R-9	29903GLE	INSULATOR FRONT G.L. SPECIAL	SR-17-V/18W/26-V -54N63-	5
R-10	299DL16E	COLLET BODY Ø1'6MM. GAS LENS SP.	SR-17-V/18W/26-V -45V116-1/16"	5
	299DL24E	COLLET BODY Ø2'4MM. GAS LENS SP.	SR-17-V/18W/26-V -45V64- 3/32"	5
	299DL32E	COLLET BODY Ø3'2MM. GAS LENS SP.	SR-17-V/18W/26-V -995795- 1/8"	5
E-1	217EL01	TORCH BODY ELECTRIC	SR-17	1
E-2	299031	INSULATOR REAR	SR-17-V/18W/26-V -18-7-	5
E-3	29903	INSULATOR FRONT	SR-17-V/18W/26-V -18CG-	5
E-4	217EL01F	TORCH BODY ELECTRIC FLEXIBLE	SR-17F	1
E-6	20001011	HANDLE 1 TRIGGER	LITTLE TIG SR9/17/20W	1
E-7	20001014	HANDLE 4 TRIGGERS	LITTLE TIG SR9/17/20W	1
E-8	2000106	ELECTRICAL HANDEL MANTLE	LITTLE TIG	1
E-9	20001021	MICROSWITCH 1	LITTLE TIG	5
E-10	20001032	COMPLETE TRIGGER 4P	LITTLE TIG	1
E-11	20001031	1-SWITCH HANDLE SWITCH	LITTLE TIG	5
E-12	20001033	HANDLE SWITCH	LITTLE TIG	1

POS.	CODE	DESCRIPTION		PACKING
E-14	2179901	CILINDRIC HANDLE	SR-9/17/20W -105Z55-	1
E-15	217EL02	FLAT MICRO LINER	SR-9/9V/17/17V/20W -807664-BS1	1
E-16	29902	MICROSWITCH FLAT TIG	-SW1F-	5
E-17	299022	HANDLE SWITCH	-SW4-25-	1
B-1	299NN44	CERAMIC CUP Ø19-24MM.	SR-17-V/18W/26-V -10N44- #12	10
	299NN45	CERAMIC CUP Ø16-20MM.	SR-17-V/18W/26-V -10N45- #10	10
	299NN46	CERAMIC CUP Ø13-18MM.	SR-17-V/18W/26-V -10N46- #8	10
	299NN47	CERAMIC CUP Ø11-16MM.	SR-17-V/18W/26-V -10N47- #7	10
	299NN48	CERAMIC CUP Ø9-14MM.	SR-17-V/18W/26-V -10N48- #6	10
	299NN49	CERAMIC CUP Ø8-13MM.	SR-17-V/18W/26-V -10N49- #5	10
	299NN50	CERAMIC CUP Ø6-11MM.	SR-17-V/18W/26-V -10N50- #4	10
B-2	299NN48L	CERAMIC CUP Ø9-14MM. LONG	SR-17-V/18W/26-V -10N48L- #6	10
	299NN49L	CERAMIC CUP Ø8-13MM. LONG	SR-17-V/18W/26-V -10N49L- #5	10
B-3	299NL14	CERAMIC CUP GAS LENS	SR-17-V/18W/26-V -54N14- #8	10
	299NL15	CERAMIC CUP GAS LENS	SR-17-V/18W/26-V -54N15- #7	10
	299NL16	CERAMIC CUP GAS LENS	SR-17-V/18W/26-V -54N16- #6	10
	299NL17	CERAMIC CUP GAS LENS	SR-17-V/18W/26-V -54N17- #5	10
	299NL18	CERAMIC CUP GAS LENS	SR-17-V/18W/26-V -54N18- #4	10
B-4	299NL74	CERAMIC CUP GAS LENS SPECIAL	SR-17-V/18W/26-V -57N74- #7	10
	299NL75	CERAMIC CUP GAS LENS SPECIAL	SR-17-V/18W/26-V -57N75- #6	10
	299NL87	CERAMIC CUP GAS LENS SPECIAL	SR-17-V/18W/26-V -53N87- #12	10
	299NL88	CERAMIC CUP GAS LENS SPECIAL	SR-17-V/18W/26-V -53N88- #10	10
C-1	0299CB	BIPOLAR CABLE Ø0.75 MM	TIG	100
C-2	299TG36	CABLE PVC BLACK FOR MTRS.	Ø3*6MM.	100
C-3	217CX88	PLUG CABLE FRONT	SR-9/9V/17/17V	5
C-4	5170116	LEADING CONEX. C/A	16MM2 SR-17/17V	5
C-5	08F2225	LINING EXTERIOR	IMPACT SR-26V/SR-18WV	40
C-6	4CS16	POWER CABLE	16MM2	100
C-7	4AM1025	CABLE PLUG	10/25.	5 / 25
C-71	4AM3550	CABLE PLUG	35/50.	5 / 10
C-9	5140216	REAR CONEXION C/A TIG	16MM2 1/4G	5
C-10	08F2225P	SKIN LINING	IMPACT SR-26V/SR-18WV	1
C-11	145TG99	COOL HOSE BLACK P.V.C.	Ø5*8MM.	100
T-3	299TG2	REAR NUT GAS TIG NICKEL	1/4GAS	10
T-4	299TG88	REAR NIPPLE GAS TIG	Ø3*6MM.	10
T-5	145TA88A	PLUG FOR CENTRAL CONNECTOR Ø3*6MM.	EM-401W/501W	10
T-6	145TA88	PLUG FOR CENTRAL CONNECTOR Ø5*8MM.	EM-401W/501W	10
T-7	299TG881	REAR NIPPLE GAS TIG	Ø5*8MM.	10
T-81	200002602	COAXIAL CONECTION 35/50 1/4G	LITTLE TIG	1
T-82	200002601	COAXIAL CONECTION 10/25 1/4G	LITTLE TIG	1
T-9	299R1214	REDUCTION TIG	1/4GM - M12/100H	1
	5120216	REAR CONEX. C/A TIG	16MM2 M/12*1	5
T-10	299R3814	REDUCTION TIG	1/4GM - G3/8H	1
	5380216	REAR CONEX C/A TIG	16MM2 3/8G	5
T-11	199MZ	CENTRAL CONNECTOR SPRING PIN	ERGODANI	1
T-12	299MZET	CONNECTION BODY TIG	EURO-TIG	1
T-13	CS7502	CENTRAL ADAPTOR	6 PINS / PLASMA-TIG	1
T-14	299MZLT	CONNECTION BODY TIG	L-TEC	1
T-17	145T095	HOSE CLAMP	-09'5-	10
T-*	299E****	CHECK IN ACCESSORIES	(PLUGS)	1
S-1	2000125	INSERTED NUT	LITTLE TIG	1
S-2	20001242	SUPPORT WATER CONECTION	LITTLE TIG	1
S-3	1EM9MZ1	SCREW CENTRAL CONNECTOR	ERGODANI EM/EX/NEO	10

WELDING
TORCHES

LITTLE TIG
electrical

TIG
SR-26



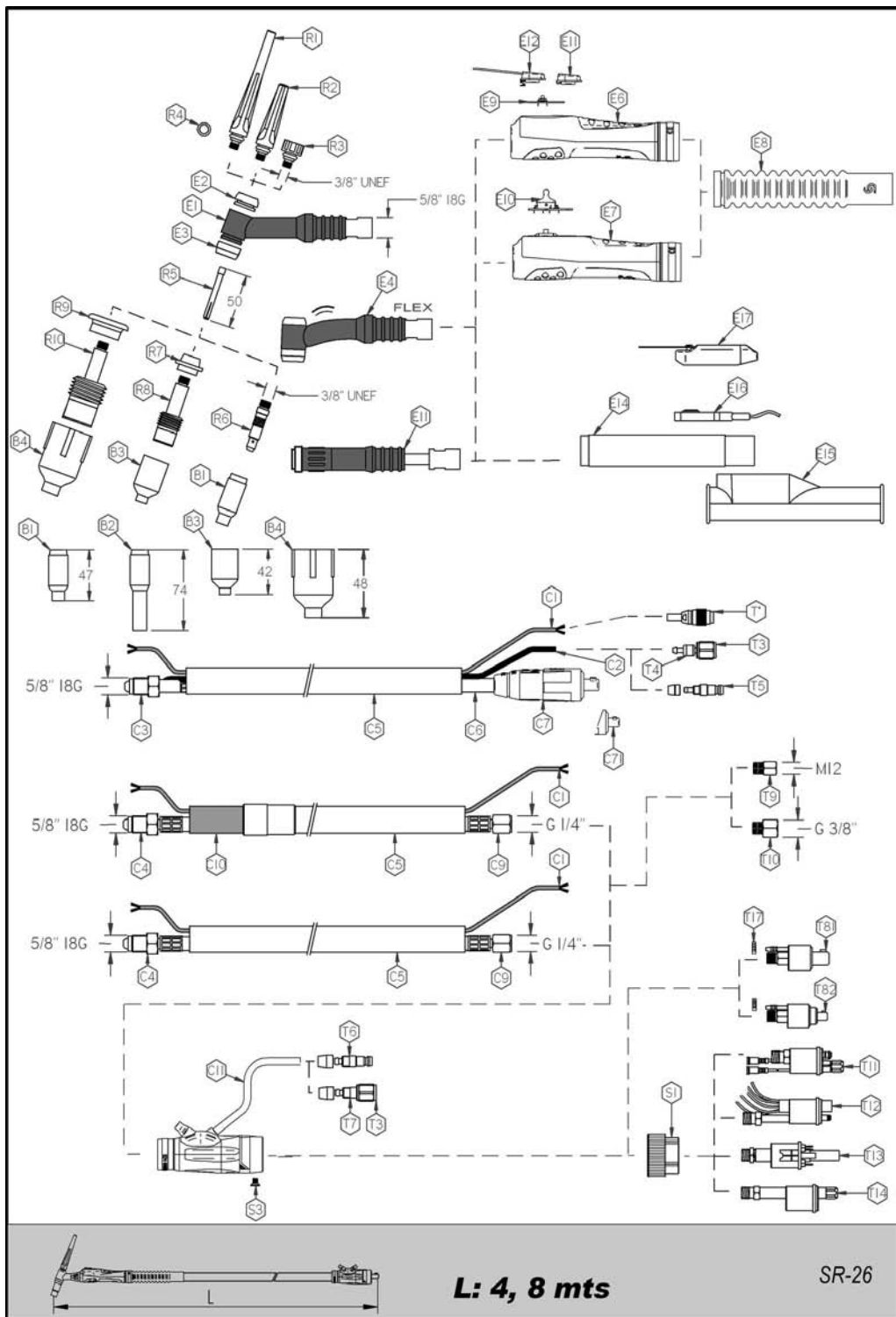
optional:
LEVER SWITCH

GUIDANCE METHODE	MANUAL	
PROCESS TYPE	TIG	
COOLING TYPE	GAS	
TUNGSTEN DIAMETER	0.5 - 4.0 mm	
GAS VOLUME	3 - 9 l/min	
STRAIN COMPLIES WITH TO	UNE-EN 60974/1	
	113V DC	
TORCH LENGTH	4, 8 m	
ELECTRICAL CONTROL ACTIVATION	MICROSWITCH 50 mA -24V	
TEST ACCORDING TO RULES	EN 60974-7	

RATING	DC	AC
RATING 100%	186A	160A
RATING 60%	240A	206A



EN 60974-7



POS.	CODE	DESCRIPTION		PACKING
	252260104	BITUBE TORCH	SR-26 LITTLE TIG 4 MTRS 35/50	1
	252260108	BITUBE TORCH	SR-26 LITTLE TIG 8 MTRS	1
	252260204	BITUBE FLEXIBLE TORCH	SR-26 LITTLE TIG 4 MTRS 35/50	1
	252260208	BITUBE FLEXIBLE TORCH	SR-26 LITTLE TIG 8 MTRS 30/50	1
	252260304	COAXIAL TORCH	SR-26 LITTLE TIG 4 MTRS 35/50	1
	252260308	COAXIAL TORCH	SR-26 LITTLE TIG 8 MTRS 35/50	1
	252260404	COAXIAL TORCH CENTRAL CONECTOR	SR-26 LITTLE TIG 4 MTRS C.C	1
	252260408	COAXIAL TORCH CENTRAL CONNECTOR	SR-26 LITTLE TIG 8 MTRS C.C.	1
	252260504	COAXIAL SKIN TORCH	SR-26 LITTLE TIG 4 MTRS 35/50	1
	252260508	COAXIAL SKIN TORCH	SR-26 LITTLE TIG 8 MTRS 35/50	1
	253260304	COAXIAL TORCH 4 SWITCHES	SR-26 LITTLE TIG 4 MTRS. 35/50	1
	253260308	COAXIAL TORCH 4 SWITCHES	SR-26 LITTLE TIG 8 MTRS 35/50	1
R-1	299TPLG	BACK CAP LONG	SR-17-V/18W/26-V -57Y02-	5
R-2	299TPMN	BACK CAP MEDIUM	SR-17-V/18W/26-V -300M-	5
R-3	299TPCT	BACK CAP SHORT	SR-17-V/18W/26-V -57Y04-	5
R-4	299TP01	O-RING CAP TIG	SR-17-V/18W/26-V -98W77-	10
R-5	299PZ10	COLLET Ø 1'0MM.	SR-17-V/18W/26-V -10N22- .040"	5
	299PZ16	COLLET Ø 1'6MM.	SR-17-V/18W/26-V -10N23- 1/16"	5
	299PZ20	COLLET Ø 2'0MM.	SR-17-V/18W/26-V -10N26-	5
	299PZ24	COLLET Ø 2'4MM.	SR-17-V/18W/26-V -10N24- 3/32"	5
	299PZ30	COLLET Ø 3'0MM.	SR-17-V/18W/26-V	5
	299PZ32	COLLET Ø 3'2MM.	SR-17-V/18W/26-V -10N25- 1/8"	5
	299PZ40	COLLET Ø 4'0MM.	SR-17-V/18W/26-V -54N20- 5/32"	5
R-6	299DI10	COLLET BODY Ø 1'0MM.	SR-17-V/18W/26-V -10N30- .040"	5
	299DI16	COLLET BODY Ø 1'6MM.	SR-17-V/18W/26-V -10N31- 1/16"	5
	299DI20	COLLET BODY Ø 2'0MM.	SR-17-V/18W/26-V	5
	299DI24	COLLET BODY Ø 2'4MM.	SR-17-V/18W/26-V -10N32- 3/32"	5
	299DI30	COLLET BODY Ø 3'0MM.	SR-17-V/18W/26-V	5
	299DI32	COLLET BODY Ø 3'2MM.	SR-17-V/18W/26-V -10N28- 1/8"	5
	299DI40	COLLET BODY Ø 4'0MM.	SR-17-V/18W/26-V	5
R-7	29903GL	INSULATOR FRONT GAS LENS	SR-17-V/18W/26-V -54N01-	5
R-8	299DL10	COLLET BODY Ø 1'0MM. GAS LENS	SR-17-V/18W/26-V -45V24- .040"	5
	299DL16	COLLET BODY Ø 1'6MM. GAS LENS	SR-17-V/18W/26-V -45V25- 1/16"	5
	299DL20	COLLET BODY Ø 2'0MM. GAS LENS	SR-17-V/18W/26-V	5
	299DL24	COLLET BODY Ø 2'4MM. GAS LENS	SR-17-V/18W/26-V -45V26- 3/32"	5
	299DL32	COLLET BODY Ø 3'2MM. GAS LENS	SR-17-V/18W/26-V -45V27- 1/8"	5
	299DL40	COLLET BODY Ø 4'0MM. GAS LENS	SR-17-V/18W/26-V -45V28- 5/32"	5
R-9	29903GLE	INSULATOR FRONT G.L. SPECIAL	SR-17-V/18W/26-V -54N63-	5
R-10	299DL16E	COLLET BODY Ø 1'6MM. GAS LENS SP.	SR-17-V/18W/26-V -45V116-1/16"	5
	299DL24E	COLLET BODY Ø 2'4MM. GAS LENS SP.	SR-17-V/18W/26-V -45V64- 3/32"	5
	299DL32E	COLLET BODY Ø 3'2MM. GAS LENS SP.	SR-17-V/18W/26-V -995795- 1/8"	5
E-1	226EL01	TORCH BODY ELECTRIC	SR-26	1
E-2	299031	INSULATOR REAR	SR-17-V/18W/26-V -18-7-	5
E-3	29903	INSULATOR FRONT	SR-17-V/18W/26-V -18CG-	5
E-4	226EL01F	TORCH BODY ELECTRIC FLEXIBLE	SR-26F	1
E-5	226EL01L	TORCH BODY ELECTRIC PENCIL	SR-26P	1
E-6	20001012	HANDLE 1 TRIGGER	LITTLE TIG SR26/18W	1
E-7	20001015	HANDLE 4 TRIGGERS	LITTLE TIG SR26/18W	1
E-8	2000106	ELECTRICAL HANDEL MANTLE	LITTLE TIG	1
E-9	20001021	MICROSWITCH 1	LITTLE TIG	5
E-10	20001032	COMPLETE TRIGGER 4P	LITTLE TIG	1
E-11	20001031	1-SWITCH HANDLE SWITCH	LITTLE TIG	5
E-12	20001033	HANDLE SWITCH	LITTLE TIG	1

POS.	CODE	DESCRIPTION		PACKING
E-14	2269901	CILINDRIC HANDLE	SR-18W/26 -H200-	1
E-15	226EL02	FLAT MICRO LINER	SR-18W/26 -607853-BL1	1
E-16	29902	MICROSWITCH FLAT TIG	-SW1F-	5
E-17	299022	HANDLE SWITCH	-SW4-25-	1
B-1	299NN44	CERAMIC CUP Ø19-24MM.	SR-17-V/18W/26-V -10N44- #12	10
	299NN45	CERAMIC CUP Ø16-20MM.	SR-17-V/18W/26-V -10N45- #10	10
	299NN46	CERAMIC CUP Ø13-18MM.	SR-17-V/18W/26-V -10N46- #8	10
	299NN47	CERAMIC CUP Ø11-16MM.	SR-17-V/18W/26-V -10N47- #7	10
	299NN48	CERAMIC CUP Ø 9-14MM.	SR-17-V/18W/26-V -10N48- #6	10
	299NN49	CERAMIC CUP Ø 8-13MM.	SR-17-V/18W/26-V -10N49- #5	10
	299NN50	CERAMIC CUP Ø 6-11MM.	SR-17-V/18W/26-V -10N50- #4	10
B-2	299NN48L	CERAMIC CUP Ø 9-14MM. LONG	SR-17-V/18W/26-V -10N48L- #6	10
	299NN49L	CERAMIC CUP Ø8-13MM. LONG	SR-17-V/18W/26-V -10N49L- #5	10
B-3	299NL14	CERAMIC CUP GAS LENS	SR-17-V/18W/26-V -54N14- #8	10
	299NL15	CERAMIC CUP GAS LENS	SR-17-V/18W/26-V -54N15- #7	10
	299NL16	CERAMIC CUP GAS LENS	SR-17-V/18W/26-V -54N16- #6	10
	299NL17	CERAMIC CUP GAS LENS	SR-17-V/18W/26-V -54N17- #5	10
	299NL18	CERAMIC CUP GAS LENS	SR-17-V/18W/26-V -54N18- #4	10
B-4	299NL74	CERAMIC CUP GAS LENS SPECIAL	SR-17-V/18W/26-V -57N74- #7	10
	299NL75	CERAMIC CUP GAS LENS SPECIAL	SR-17-V/18W/26-V -57N75- #6	10
	299NL87	CERAMIC CUP GAS LENS SPECIAL	SR-17-V/18W/26-V -53N87- #12	10
	299NL88	CERAMIC CUP GAS LENS SPECIAL	SR-17-V/18W/26-V -53N88- #10	10
C-1	0299CB	BIPOLAR CABLE Ø0.75 MM	TIG	100
C-2	299TG36	CABLE PVC BLACK FOR MTRS.	Ø3*6MM.	100
C-3	226CX88	PLUG CABLE FRONT	SR-26/26V	5
C-4	5260125	LEADING CONEX C/A	25MM2 SR-26/26V	5
C-5	08F2225	LINING EXTERIOR	IMPACT SR-26V/SR-18WV	40
C-6	4CS35	POWER CABLE	35MM2	100
C-7	4AM3550	CABLE PLUG	35/50.	5 / 10
C-71	4AM1025	CABLE PLUG	10/25.	5 / 25
C-9	5140225	REAR CONEXION C/A TIG	25MM2 1/4G	5
C-10	08F2225P	SKIN LINING	IMPACT SR-26V/SR-18WV	1
C-11	145TG99	COOL HOSE BLACK P.V.C.	Ø5*8MM.	100
T-3	299TG2	REAR NUT GAS TIG NICKEL	1/4GAS	10
T-4	299TG88	REAR NIPPLE GAS TIG	Ø3*6MM.	10
T-5	145TA88A	PLUG FOR CENTRAL CONNECTOR Ø3*6MM.	EM-401W/501W	10
T-6	145TA88	PLUG FOR CENTRAL CONNECTOR Ø5*8MM.	EM-401W/501W	10
T-7	299TG881	REAR NIPPLE GAS TIG	Ø5*8MM.	10
T-81	200002602	COAXIAL CONECTION 35/50 1/4G	LITTLE TIG	1
T-82	200002601	COAXIAL CONECTION 10/25 1/4G	LITTLE TIG	1
T-9	299R1214	REDUCTION TIG	1/4GM - M12/100H	1
	5120225	REAR CONEX. C/A TIG	25MM2 M/12*1	5
T-10	299R3814	REDUCTION TIG	1/4GM - G3/8H	1
	5380225	REAR CONEX C/A TIG	25MM2 3/8G	5
T-11	199MZ	CENTRAL CONNECTOR SPRING PIN	ERGODANI	1
T-12	299MZET	CONNECTION BODY TIG	EURO-TIG	1
T-13	CS7502	CENTRAL ADAPTOR	6 PINS / PLASMA-TIG	1
T-14	299MZLT	CONNECTION BODY TIG	L-TEC	1
T-17	145T095	HOSE CLAMP	-09'5-	10
T*	299E****	CHECK IN ACCESSORIES	(PLUGS)	1
S-1	2000125	INSERTED NUT	LITTLE TIG	1
S-2	20001242	SUPPORT WATER CONECTION	LITTLE TIG	1
S-3	1EM9MZ1	SCREW CENTRAL CONNECTOR	ERGODANI EM/EX/NEO	10

WELDING
TORCHES

LITTLE TIG
electrical

TIG

SR-20W



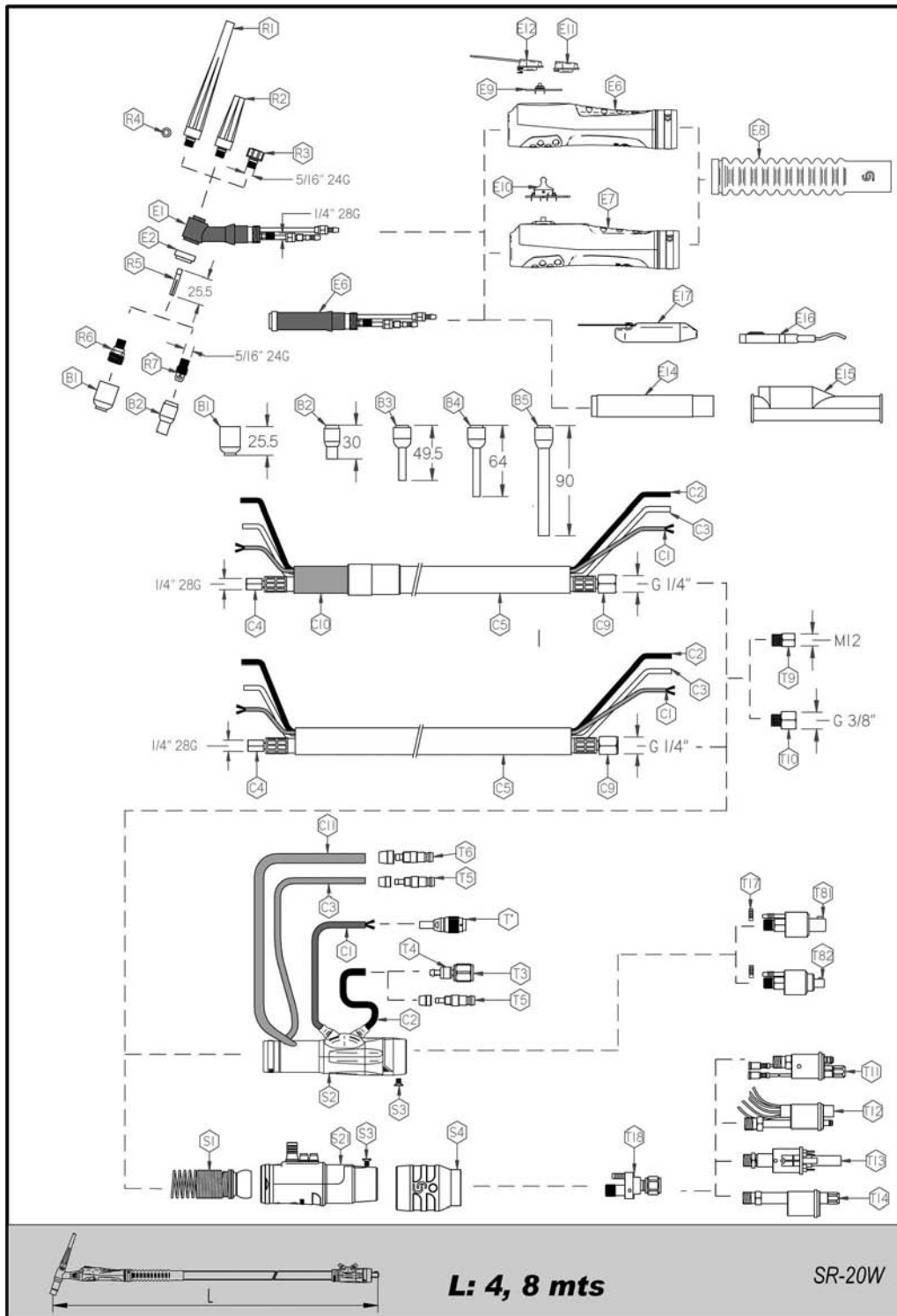
optional:
LEVER SWITCH

GUIDANCE METHODE	MANUAL
PROCESS TYPE	TIG
COOLING TYPE	LIQUIDE
MIN - MAX COOLANT VOLUME	1.4 l/min
MIN - MAX COOLANT PREASSURE	2.0 - 3.5 bar
TUNGSTEN DIAMETER	0.5 - 3.2 mm
GAS VOLUME	3 - 9 l/min
STRAIN COMPLIES WITH TO	UNE-EN 60974/1
TORCH LENGTH	4, 8 m
ELECTRICAL CONTROL ACTIVATION	MICROSWITCH 50 mA -24V
TEST ACCORDING TO RULES	EN 60974-7

RATING		DC	AC
RATING 100%		194A	167A
RATING 60%		250A	215A



EN 60974-7



POS.	CODE	DESCRIPTION		PACKING
	252200304	COAXIAL TORCH	SR-20 LITTLE TIG 4 MTRS 10/25	1
	252200308	COAXIAL TORCH	SR-20 LITTLE TIG 4 MTRS 10/25	1
	252200404	COAXIAL TORCH CENTRAL CONEXION	SR-20 LITTLE TIG 4 MTRS C.C.	1
	252200408	COAXIAL TORCH CENTRAL CONEXION	SR-20 LITTLE TIG 4 MTRS C.C.	1
	252200504	COAXIAL SKIN TORCH	SR-20 LITTLE TIG 4 MTRS 10/25	1
	252200508	COAXIAL SKIN TORCH	SR-20 LITTLE TIG 4 MTRS 10/25	1
	253200304	COAXIAL TORCH 4 SWITCHES	SR-20W LITTLE TIG 4 MTRS 10/25	1
	253200308	COAXIAL TORCH 4 SWITCHES	SR-20W LITTLE TIG 8 MTRS 10/25	1
R-1	209TPLG	BACK CAP LONG	SR-9/20W -41V24-	5
R-2	209TPMN	BACK CAP MEDIUM	SR-9/20W -41V35-	5
R-3	209TPCT	BACK CAP SHORT	SR-9/20W -41V33-	5
R-5	209PZ10	COLLET Ø1'0MM.	SR-9/20W -13N21- .040"	5
	209PZ16	COLLET Ø1'6MM.	SR-9/20W -13N22- 1/16"	5
	209PZ20	COLLET Ø2'0MM.	SR-9/20W	5
	209PZ24	COLLET Ø2'4MM.	SR-9/20W -13N23- 3/32"	5
	209PZ32	COLLET Ø3'2MM.	SR-9/20W -13N24- 1/8"	5
R-6	209DL10	COLLET BODY Ø1'0MM. GAS LENS	SR-9/20W -45V42- .040"	5
	209DL16	COLLET BODY Ø1'6MM. GAS LENS	SR-9/20W -45V43- 1/16"	5
	209DL20	COLLET BODY Ø2'0MM. GAS LENS	SR-9/20W	5
	209DL24	COLLET BODY Ø2'4MM. GAS LENS	SR-9/20W -45V44- 3/32"	5
	209DL32	COLLET BODY Ø3'2MM. GAS LENS	SR-9/20W -45V45- 1/8"	5
R-7	209DI10	COLLET BODY Ø1'0MM.	SR-9/20W -13N26- .040"	5
	209DI16	COLLET BODY Ø1'6MM.	SR-9/20W -13N27- 1/16"	5
	209DI20	COLLET BODY Ø2'0MM.	SR-9/20W	5
	209DI24	COLLET BODY Ø2'4MM.	SR-9/20W -13N28- 3/32"	5
	209DI32	COLLET BODY Ø3'2MM.	SR-9/20W -13N29- 1/8"	5
E-1	220EL01	TORCH BODY ELECTRIC	SR-20W	1
E-2	20903	INSULATOR	SR-9/20W -598882-	5
E-4	220EL01L	TORCH BODY ELECTRIC PENCIL	SR-20WP	1
E-6	20001011	HANDLE 1 TRIGGER	LITTLE TIG SR9/17/20W	1
E-7	20001014	HANDLE 4 TRIGGERS	LITTLE TIG SR9/17/20W	1
E-8	2000106	ELECTRICAL HANDEL MANTLE	LITTLE TIG	1
E-9	20001021	MICROSWITCH 1	LITTLE TIG	5
E-10	20001032	COMPLETE TRIGGER 4P	LITTLE TIG	1
E-11	20001031	1-SWITCH HANDLE SWITCH	LITTLE TIG	5
E-12	20001033	HANDLE SWITCH	LITTLE TIG	1
E-14	2259901	CILINDRIC HANDLE COOL	SR-25W -53N06R-	1
E-15	217EL02	FLAT MICRO LINER	SR-9/9V/17/17V/20W -807664-BS1	1
E-16	29902	MICROSWITCH FLAT TIG	-SW1F-	5
E-17	299022	HANDLE SWITCH	-SW4-25-	1
B-1	209NL58	CERAMIC CUP GAS LENS	SR-9/20W -53N58- #4	10
	209NL59	CERAMIC CUP GAS LENS	SR-9/20W -53N59- #5	10
	209NL60	CERAMIC CUP GAS LENS	SR-9/20W -53N60- #6	10
	209NL61	CERAMIC CUP GAS LENS	SR-9/20W -53N61- #7	10
B-2	209NN08	CERAMIC CUP	SR-9/20W -13N08- #4	10
	209NN09	CERAMIC CUP	SR-9/20W -13N09- #5	10
	209NN10	CERAMIC CUP	SR-9/20W -13N10- #6	10
	209NN11	CERAMIC CUP	SR-9/20W -13N11- #7	10
	209NN12	CERAMIC CUP	SR-9/20W -13N12- #8	10
	209NN13	CERAMIC CUP	SR-9/20W -13N13- #10	10
B-3	209NN07L	CERAMIC CUP LONG	SR-9/20W -796F70- #3	10

POS.	CODE	DESCRIPTION		PACKING
	209NN08L	CERAMIC CUP LONG	SR-9/20W -796F71- #4	10
	209NN09L	CERAMIC CUP LONG	SR-9/20W -796F72- #5	10
	209NN10L	CERAMIC CUP LONG	SR-9/20W -796F73- #6	10
B-4	209NN07LE	CERAMIC CUP LONG SPECIAL	SR-9/20W -796F74- #3	10
	209NN08LE	CERAMIC CUP LONG SPECIAL	SR-9/20W -796F75- #4	10
	209NN09LE	CERAMIC CUP LONG SPECIAL	SR-9/20W -796F76- #5	10
	209NN10LE	CERAMIC CUP LONG SPECIAL	SR-9/20W -796F77- #6	10
C-1	0299CB	BIPOLAR CABLE Ø0.75 MM	TIG	100
C-2	299TG36	CABLE PVC BLACK FOR MTRS.	Ø3*6MM.	100
C-3	299TG36B	CABLE PVC WHITE FOR MTRS.	Ø3*6MM.	100
C-4	5200104	LEADING CONEX CABLE C/A	SR-20W	5
C-5	08F2225	LINING EXTERIOR	IMPACT SR-26V/SR-18WV	40
C-9	5140216	REAR CONEXION C/A TIG	16MM2 1/4G	5
C-10	08F2225P	SKIN LINING	IMPACT SR-26V/SR-18WV	1
C-11	145TG99	COOL HOSE BLACK P.V.C.	Ø5*8MM.	100
T-3	299TG2	REAR NUT GAS TIG NICKEL	1/4GAS	10
T-4	299TG88	REAR NIPPLE GAS TIG	Ø3*6MM.	10
T-5	145TA88A	PLUG FOR CENTRAL CONNECTOR Ø3*6MM.	EM-401W/501W	10
T-6	145TA88	PLUG FOR CENTRAL CONNECTOR Ø5*8MM.	EM-401W/501W	10
T-81	200002602	COAXIAL CONECTION 35/50 1/4G	LITTLE TIG	1
T-82	200002601	COAXIAL CONECTION 10/25 1/4G	LITTLE TIG	1
T-9	299R1214	REDUCTION TIG	1/4GM - M12/100H	1
	5120216	REAR CONEX. C/A TIG	16MM2 M/12*1	5
T-10	299R3814	REDUCTION TIG	1/4GM - G3/8H	1
	5380216	REAR CONEX C/A TIG	16MM2 3/8G	5
T-11	199MZ	CENTRAL CONNECTOR SPRING PIN	ERGODANI	1
T-12	299MZET	CONNECTION BODY TIG	EURO-TIG	1
T-13	CS7502	CENTRAL ADAPTOR	6 PINS / PLASMA-TIG	1
T-14	299MZLT	CONNECTION BODY TIG	L-TEC	1
T-17	145T095	HOSE CLAMP	-09'5-	10
T-18	218MZ	ADAPTOR M1/4-H1/4	SR-18W/20W	10
T-*	299E****	CHECK IN ACCESSORIES	(PLUGS)	1
S-1	1EM9EP0W	SPRING & UNIVERSAL JOIN WATER	ERGODANI MINOR	1
S-2	20001242	SUPPORT WATER CONECTION	LITTLE TIG	1
S-21	29924W	SUPPORT CONNECTION LIQUID	NEO TIG	1
S-3	1EM9MZ1	SCREW CENTRAL CONNECTOR	ERGODANI EM/EX/NEO	10
S-4	1EN9925N	ADAPTOR NUT BLACK	ERGODANI NEO	1

WELDING
TORCHES

LITTLE TIG
electrical

TIG
SR-18W



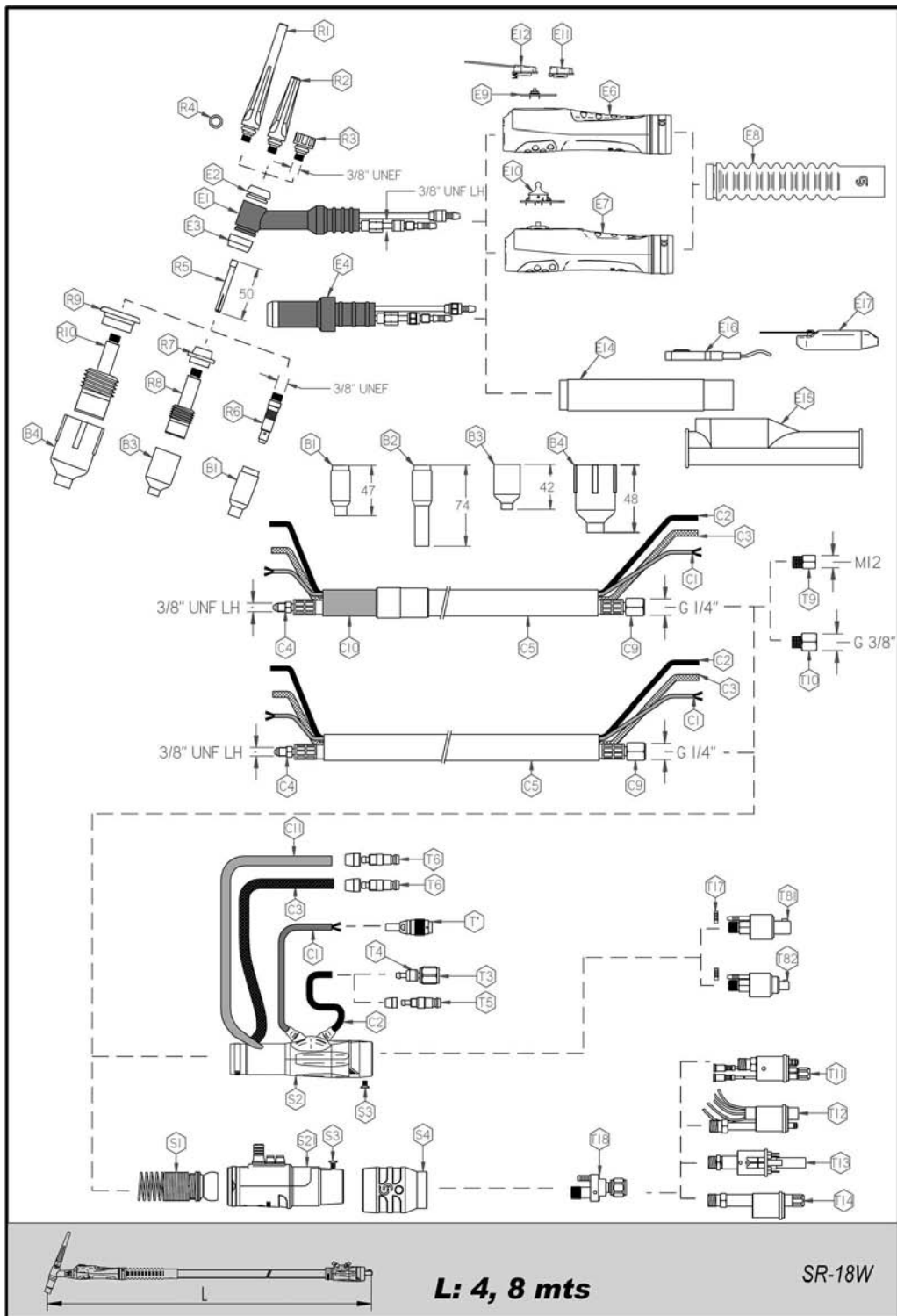
optional:
LEVER SWITCH

GUIDANCE METHODE	MANUAL
PROCESS TYPE	TIG
COOLING TYPE	LIQUIDE
MIN - MAX COOLANT VOLUME	1,4 l/min
MIN - MAX COOLANT PREASSURE	2,0 - 3,5 bar
TUNGSTEN DIAMETER	0,5 - 4,0 mm
GAS VOLUME	3 - 11 l/min
STRAIN COMPLIES WITH TO UNE-EN 60974/1	113V DC
TORCH LENGTH	4, 8 m
ELECTRICAL CONTROL ACTIVATION	MICROSWITCH 50 mA -24V
TEST ACCORDING TO RULES	EN 60974-7

RATING	DC	AC
RATING 100%	248A	213A
RATING 60%	320A	275A



EN 60974-7



POS.	CODE	DESCRIPTION		PACKING
	252180304	COAXIAL TORCH	SR-18 LITTLE TIG 4 MTRS 35/50	1
	252180308	COAXIAL TORCH	SR-18 LITTLE TIG 8 MTRS 35/50	1
	252180404	COAXIAL TORCH WITH CENTRAL CONEXION	SR-18 LITTLE TIG 4 MTRS C.C.	1
	252180408	COAXIAL TORCH CENTRAL CONEXION	SR-18 LITTLE TIG 8 MTRS C.C.	1
	252180504	SKIN COAXIAL TORCH	SR-18 LITTLE TIG 4 MTRS 10/25	1
	252180508	COAXIAL SKIN TORCH	SR-18 LITTLE TIG 8 MTRS 10/25	1
	253180304	COAXIAL TORCH 4 SWITCHES	SR-18W LITTLE TIG 4 MTRS 35/50	1
	253180308	COAXIAL TORCH 4 SWITCHES	SR-18W LITTLE TIG 8 MTRS 35/50	1
R-1	299TPLG	BACK CAP LONG	SR-17-V/18W/26-V -57Y02-	5
R-2	299TPMN	BACK CAP MEDIUM	SR-17-V/18W/26-V -300M-	5
R-3	299TPCT	BACK CAP SHORT	SR-17-V/18W/26-V -57Y04-	5
R-4	299TP01	O-RING CAP TIG	SR-17-V/18W/26-V -98W77-	10
R-5	299PZ10	COLLET Ø1'0MM.	SR-17-V/18W/26-V -10N22- .040"	5
	299PZ16	COLLET Ø1'6MM.	SR-17-V/18W/26-V -10N23- 1/16"	5
	299PZ20	COLLET Ø2'0MM.	SR-17-V/18W/26-V -10N26-	5
	299PZ24	COLLET Ø2'4MM.	SR-17-V/18W/26-V -10N24- 3/32"	5
	299PZ30	COLLET Ø3'0MM.	SR-17-V/18W/26-V	5
	299PZ32	COLLET Ø3'2MM.	SR-17-V/18W/26-V -10N25- 1/8"	5
	299PZ40	COLLET Ø4'0MM.	SR-17-V/18W/26-V -54N20- 5/32"	5
R-6	299DI10	COLLET BODY Ø1'0MM.	SR-17-V/18W/26-V -10N30- .040"	5
	299DI16	COLLET BODY Ø1'6MM.	SR-17-V/18W/26-V -10N31- 1/16"	5
	299DI20	COLLET BODY Ø2'0MM.	SR-17-V/18W/26-V	5
	299DI24	COLLET BODY Ø2'4MM.	SR-17-V/18W/26-V -10N32- 3/32"	5
	299DI30	COLLET BODY Ø3'0MM.	SR-17-V/18W/26-V	5
	299DI32	COLLET BODY Ø3'2MM.	SR-17-V/18W/26-V -10N28- 1/8"	5
	299DI40	COLLET BODY Ø4'0MM.	SR-17-V/18W/26-V	5
R-7	29903GL	INSULATOR FRONT GAS LENS	SR-17-V/18W/26-V -54N01-	5
R-8	299DL10	COLLET BODY Ø1'0MM. GAS LENS	SR-17-V/18W/26-V -45V24- .040"	5
	299DL16	COLLET BODY Ø1'6MM. GAS LENS	SR-17-V/18W/26-V -45V25- 1/16"	5
	299DL20	COLLET BODY Ø2'0MM. GAS LENS	SR-17-V/18W/26-V	5
	299DL24	COLLET BODY Ø2'4MM. GAS LENS	SR-17-V/18W/26-V -45V26- 3/32"	5
	299DL32	COLLET BODY Ø3'2MM. GAS LENS	SR-17-V/18W/26-V -45V27- 1/8"	5
	299DL40	COLLET BODY Ø4'0MM. GAS LENS	SR-17-V/18W/26-V -45V28- 5/32"	5
R-9	29903GLE	INSULATOR FRONT G.L. SPECIAL	SR-17-V/18W/26-V -54N63-	5
R-10	299DL16E	COLLET BODY Ø1'6MM. GAS LENS SP.	SR-17-V/18W/26-V -45V116-1/16"	5
	299DL24E	COLLET BODY Ø2'4MM. GAS LENS SP.	SR-17-V/18W/26-V -45V64- 3/32"	5
	299DL32E	COLLET BODY Ø3'2MM. GAS LENS SP.	SR-17-V/18W/26-V -995795- 1/8"	5
E-1	218EL01	TORCH BODY ELECTRIC	SR-18W	1
E-2	299031	INSULATOR REAR	SR-17-V/18W/26-V -18-7-	5
E-3	29903	INSULATOR FRONT	SR-17-V/18W/26-V -18CG-	5
E-4	218EL01L	TORCH BODY ELECTRIC PENCIL	SR-18WP	1
E-6	20001012	HANDLE 1 TRIGGER	LITTLE TIG SR26/18W	1
E-7	20001015	HANDLE 4 TRIGGERS	LITTLE TIG SR26/18W	1
E-8	2000106	ELECTRICAL HANDEL MANTLE	LITTLE TIG	1
E-9	20001021	MICROSWITCH 1	LITTLE TIG	5
E-10	20001032	COMPLETE TRIGGER 4P	LITTLE TIG	1
E-11	20001031	1-SWITCH HANDLE SWITCH	LITTLE TIG	5
E-12	20001033	HANDLE SWITCH	LITTLE TIG	1
E-14	2269901	CILINDRIC HANDLE	SR-18W/26 -H200-	1
E-15	226EL02	FLAT MICRO LINER	SR-18W/26 -607853-BL1	1
E-16	29902	MICROSWITCH FLAT TIG	-SW1F-	5

WELDING TORCHES

TIG

LITTLE TIG SR-18W

electrical

POS.	CODE	DESCRIPTION		PACKING
E-17	299022	HANDLE SWITCH	-SW4-25-	1
B-1	299NN44	CERAMIC CUP Ø19-24MM.	SR-17-V/18W/26-V -10N44- #12	10
	299NN45	CERAMIC CUP Ø16-20MM.	SR-17-V/18W/26-V -10N45- #10	10
	299NN46	CERAMIC CUP Ø13-18MM.	SR-17-V/18W/26-V -10N46- #8	10
	299NN47	CERAMIC CUP Ø11-16MM.	SR-17-V/18W/26-V -10N47- #7	10
	299NN48	CERAMIC CUP Ø9-14MM.	SR-17-V/18W/26-V -10N48- #6	10
	299NN49	CERAMIC CUP Ø8-13MM.	SR-17-V/18W/26-V -10N49- #5	10
	299NN50	CERAMIC CUP Ø6-11MM.	SR-17-V/18W/26-V -10N50- #4	10
B-2	299NN48L	CERAMIC CUP Ø9-14MM. LONG	SR-17-V/18W/26-V -10N48L- #6	10
	299NN49L	CERAMIC CUP Ø8-13MM. LONG	SR-17-V/18W/26-V -10N49L- #5	10
B-3	299NL14	CERAMIC CUP GAS LENS	SR-17-V/18W/26-V -54N14- #8	10
	299NL15	CERAMIC CUP GAS LENS	SR-17-V/18W/26-V -54N15- #7	10
	299NL16	CERAMIC CUP GAS LENS	SR-17-V/18W/26-V -54N16- #6	10
	299NL17	CERAMIC CUP GAS LENS	SR-17-V/18W/26-V -54N17- #5	10
	299NL18	CERAMIC CUP GAS LENS	SR-17-V/18W/26-V -54N18- #4	10
B-4	299NL74	CERAMIC CUP GAS LENS SPECIAL	SR-17-V/18W/26-V -57N74- #7	10
	299NL75	CERAMIC CUP GAS LENS SPECIAL	SR-17-V/18W/26-V -57N75- #6	10
	299NL87	CERAMIC CUP GAS LENS SPECIAL	SR-17-V/18W/26-V -53N87- #12	10
	299NL88	CERAMIC CUP GAS LENS SPECIAL	SR-17-V/18W/26-V -53N88- #10	10
C-1	0299CB	BIPOLAR CABLE Ø 0.75 MM	TIG	100
C-2	145TG99	COOL HOSE BLACK P.V.C.	Ø5*8MM.	100
C-3	145TA99F	COOL HOSE BLUE P.V.C.	Ø5*8MM.	100
C-4	5180116	LEADING CONEX. C/A	16MM2 SR-18/18W	5
C-5	08F2225	LINING EXTERIOR	IMPACT SR-26V/SR-18WW	40
C-9	5140216	REAR CONEXION C/A TIG	16MM2 1/4G	5
C-10	08F2225P	SKIN LINING	IMPACT SR-26V/SR-18WW	1
C-11	145TA99C	COOL HOSE RED P.V.C.	Ø5*8MM.	100
T-3	299TG2	REAR NUT GAS TIG NICKEL	1/4GAS	10
T-4	299TG88	REAR NIPPLE GAS TIG	Ø3*6MM.	10
T-5	145TA88A	PLUG FOR CENTRAL CONNECTOR Ø3*6MM.	EM-401W/501W	10
T-6	145TA88	PLUG FOR CENTRAL CONNECTOR Ø5*8MM.	EM-401W/501W	10
T-81	200002602	COAXIAL CONECTION 35/50 1/4G	LITTLE TIG	1
T-82	200002601	COAXIAL CONECTION 10/25 1/4G	LITTLE TIG	1
T-9	299R1214	REDUCTION TIG	1/4GM - M12/100H	1
	5120216	REAR CONEX. C/A TIG	16MM2 M/12*1	5
T-10	299R3814	REDUCTION TIG	1/4GM - G3/8H	1
	5380216	REAR CONEX C/A TIG	16MM2 3/8G	5
T-11	199MZ	CENTRAL CONNECTOR SPRING PIN	ERGODANI	1
T-12	299MZET	CONNECTION BODY TIG	EURO-TIG	1
T-13	CS7502	CENTRAL ADAPTOR	6 PINS / PLASMA-TIG	1
T-14	299MZLT	CONNECTION BODY TIG	L-TEC	1
T-17	145T095	HOSE CLAMP	-09'5-	10
T-18	218MZ	ADAPTOR M1/4-H1/4	SR-18W/20W	10
T-*	299E****	CHECK IN ACCESSORIES	(PLUGS)	1
S-1	1EM9EP0W	SPRING & UNIVERSAL JOIN WATER	ERGODANI MINOR	1
S-2	20001242	SUPPORT WATER CONECTION	LITTLE TIG	1
S-21	29924W	SUPPORT CONNECTION LIQUID	NEO TIG	1
S-3	1EM9MZ1	SCREW CENTRAL CONNECTOR	ERGODANI EM/EX/NEO	10
S-4	1EN9925N	ADAPTOR NUT BLACK	ERGODANI NEO	1

WELDING
TORCHES

LITTLE TIG
electrical

TIG

210



optional:
LEVER SWITCH

GUIDANCE METHODE	MANUAL	
PROCESS TYPE	TIG	
COOLING TYPE	GAS	
TUNGSTEN DIAMETER	0.5 - 3.2 mm	
GAS VOLUME	3 - 9 l/min	
STRAIN COMPLIES WITH TO	UNE-EN 60974/1	
	113V DC	
TORCH LENGTH	4, 8 m	
ELECTRICAL CONTROL ACTIVATION	MICROSWITCH 50 mA -24V	
TEST ACCORDING TO RULES	EN 60974-7	

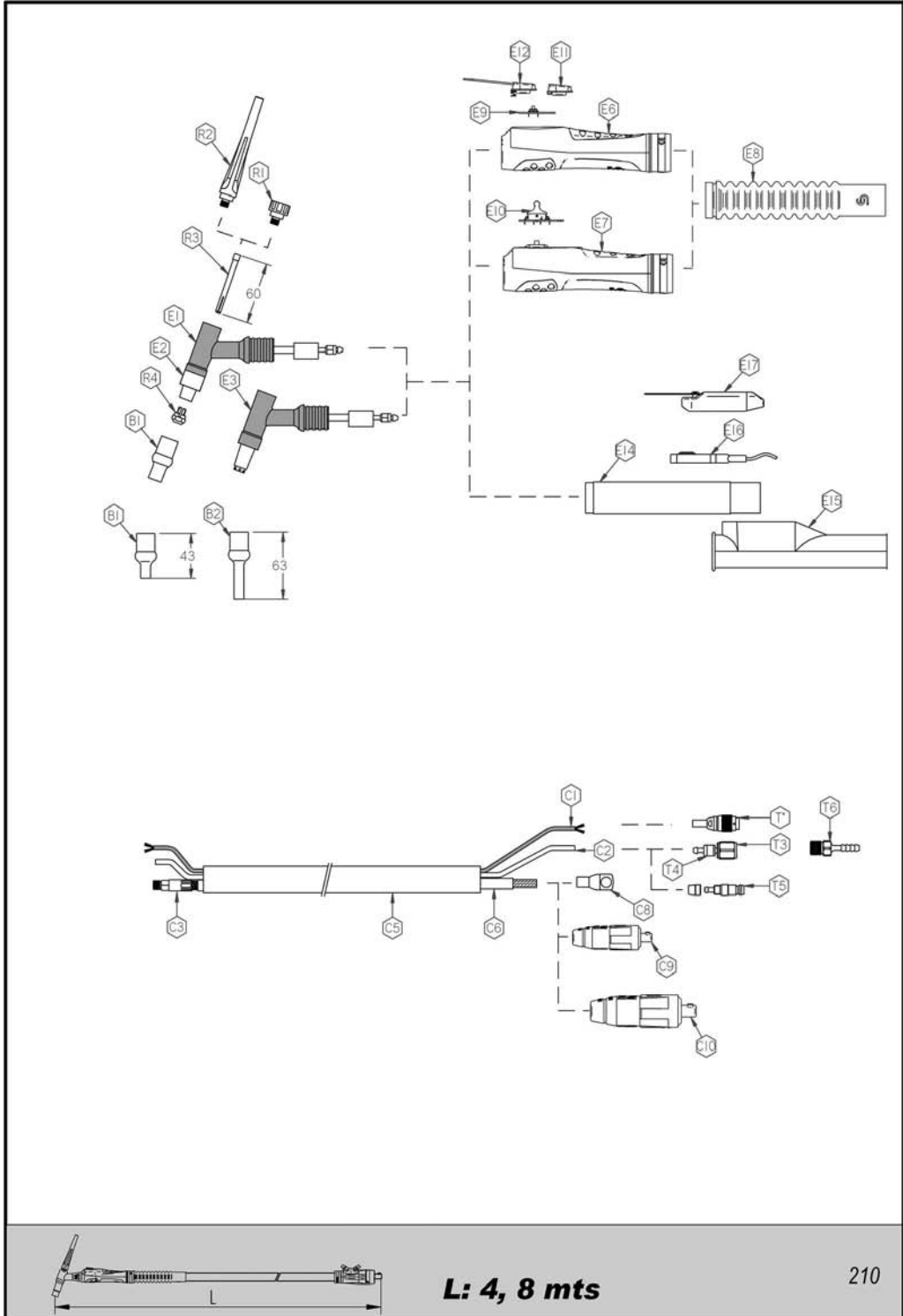
RATING	DC	AC
RATING 100%	140A	120A
RATING 60%	180A	155A



EN 60974-7

WELDING
TORCHES
LITTLE TIG
electrical

TIG
210



POS.	CODE	DESCRIPTION		PACKING
	252210104	BITUBE TORCH	210-A LITTLE TIG 4 MTRS.	11
	252210108	BITUBE TORCH	210-A LITTLE TIG 7,5 MTRS.	1
	253210104	BITUBE TORCH 4 SWITCHES	210-A LITTLE TIG 4 MTRS	1
	253210108	BITUBE TORCH 4 SWITCHES	210-A LITTLE TIG 8 MTRS	1
R-1	221TPLG	BACK CAP LONG	210V -403-70-	5
R-2	221TPCT	BACK CAP SHORT	210V -403-30-	5
R-3	221PZ10	COLLET Ø1'0MM.	210V -964-01- .040"	5
	221PZ16	COLLET Ø1'6MM.	210V -965-01- 1/16"	5
	221PZ20	COLLET Ø2'0MM.	210V	5
	221PZ24	COLLET Ø2'4MM.	210V -966-01- 3/32"	5
	221PZ32	COLLET Ø3'2MM.	210V -967-01- 1/8"	5
	221PZ40	COLLET Ø4'0MM.	210V -968-01- 5/32"	5
E-1	221EL01	TORCH BODY ELECTRIC	210 TEFLON	1
E-2	22102	INSULATOR	210V	5
E-3	221EL01A	TORCH BODY ELECTRIC	210 ANT.	1
E-6	20001012	HANDLE 1 TRIGGER	LITTLE TIG SR26/18W	1
E-7	20001015	HANDLE 4 TRIGGERS	LITTLE TIG SR26/18W	1
E-8	2000106	ELECTRICAL HANDEL MANTLE	LITTLE TIG	1
E-9	20001021	MICROSWITCH 1	LITTLE TIG	5
E-10	20001032	COMPLETE TRIGGER 4P	LITTLE TIG	1
E-11	20001031	1-SWITCH HANDLE SWITCH	LITTLE TIG	5
E-12	20001033	HANDLE SWITCH	LITTLE TIG	1
E-14	2269901	CILINDRIC HANDLE	SR-18W/26 -H200-	1
E-15	226EL02	FLAT MICRO LINER	SR-18W/26 -607853-BL1	1
E-16	29902	MICROSWITCH FLAT TIG	-SW1F-	5
E-17	299022	HANDLE SWITCH	-SW4-25-	1
R-4	221GU10	GUIDE Ø1'0MM.	210V -961-41- .040"	5
	221GU16	GUIDE Ø1'6MM.	210V -961-51- 1/16"	5
	221GU24	GUIDE Ø2'4MM.	210V -961-61- 3/32"	5
	221GU32	GUIDE Ø3'2MM.	210V -961-71- 1/8"	5
	221GU40	GUIDE Ø4'0MM.	210V -961-81- 5/32"	5
B-1	22130	CERAMIC CUP	210V -130-00- #4 1/4"	10
	22130O	CERAMIC CUP	210V -130-00- #4 1/4" OR/TC	10
	22131	CERAMIC CUP	210V -131-00- #5 5/16"	10
	22131O	CERAMIC CUP	210V -131-00- #5 5/16" OR/TC	10
	22132	CERAMIC CUP	210V -132-00- #6 3/8"	10
	22132O	CERAMIC CUP	210V -132-00- #6 3/8" OR/TC	10
	22133	CERAMIC CUP	210V -133-00- #7 7/16"	10
	22133O	CERAMIC CUP	210V -133-00- #7 7/16" OR/TC	10
	22134	CERAMIC CUP	210V -134-00- #8 1/2"	10
	22134O	CERAMIC CUP	210V -134-00- #8 1/2" OR/TC	10
	22135	CERAMIC CUP	210V -135-00- #9 9/16"	10
	22135O	CERAMIC CUP	210V -135-00- #9 9/16" OR/TC	10
	22136	CERAMIC CUP	210V -136-00- #10 1/4"	10
	22136O	CERAMIC CUP	210V -136-00- #10 1/4" OR/TC	10
B-2	2213007	CERAMIC CUP LONG	210V -130-07- #4 1/4"	10
	2213107	CERAMIC CUP LONG	210V -131-07- #5 5/16"	10
	2213207	CERAMIC CUP LONG	210V -132-07- #6 3/8"	10
	2213307	CERAMIC CUP LONG	210V -133-07- #7 7/16"	10
	2213407	CERAMIC CUP LONG	210V -134-07- #8 1/2"	10
	2213507	CERAMIC CUP LONG	210V -135-07- #9 9/16"	10

POS.	CODE	DESCRIPTION		PACKING
C-1	0299CB	BIPOLAR CABLE Ø0.75 MM	TIG	100
C-2	299TG36	CABLE PVC BLACK FOR MTRS.	Ø3*6MM.	100
	299TG36B	CABLE PVC WHITE FOR MTRS.	Ø3*6MM.	100
C-3	221CAD	PLUG CABLE FRONT	210V	5
C-5	08F2225	LINING EXTERIOR	IMPACT SR-26V/SR-18WV	40
C-6	0221CS20	UNIPOLAR RED CABLE 1*25		100
C-8	221CAT	PLUG CABLE REAR	210V Ø25/12MM.	5
C-9	4AM1025	CABLE PLUG	10/25.	5 / 25
C-10	4AM3550	CABLE PLUG	35/50.	5 / 10
T-3	299TG2	REAR NUT GAS TIG NICKEL	1/4GAS	10
T-4	299TG88	REAR NIPPLE GAS TIG	Ø3*6MM.	10
T-5	145TA88A	PLUG FOR CENTRAL CONNECTOR Ø3*6MM.	EM-401W/501W	10
T-6	221PG	EXTENDER TUBE GAS	210V/226V	10
T-*	299E****	CHECK IN ACCESSORIES	(PLUGS)	1



WELDING
TORCHES
LITTLE TIG
electrical

TIG
226



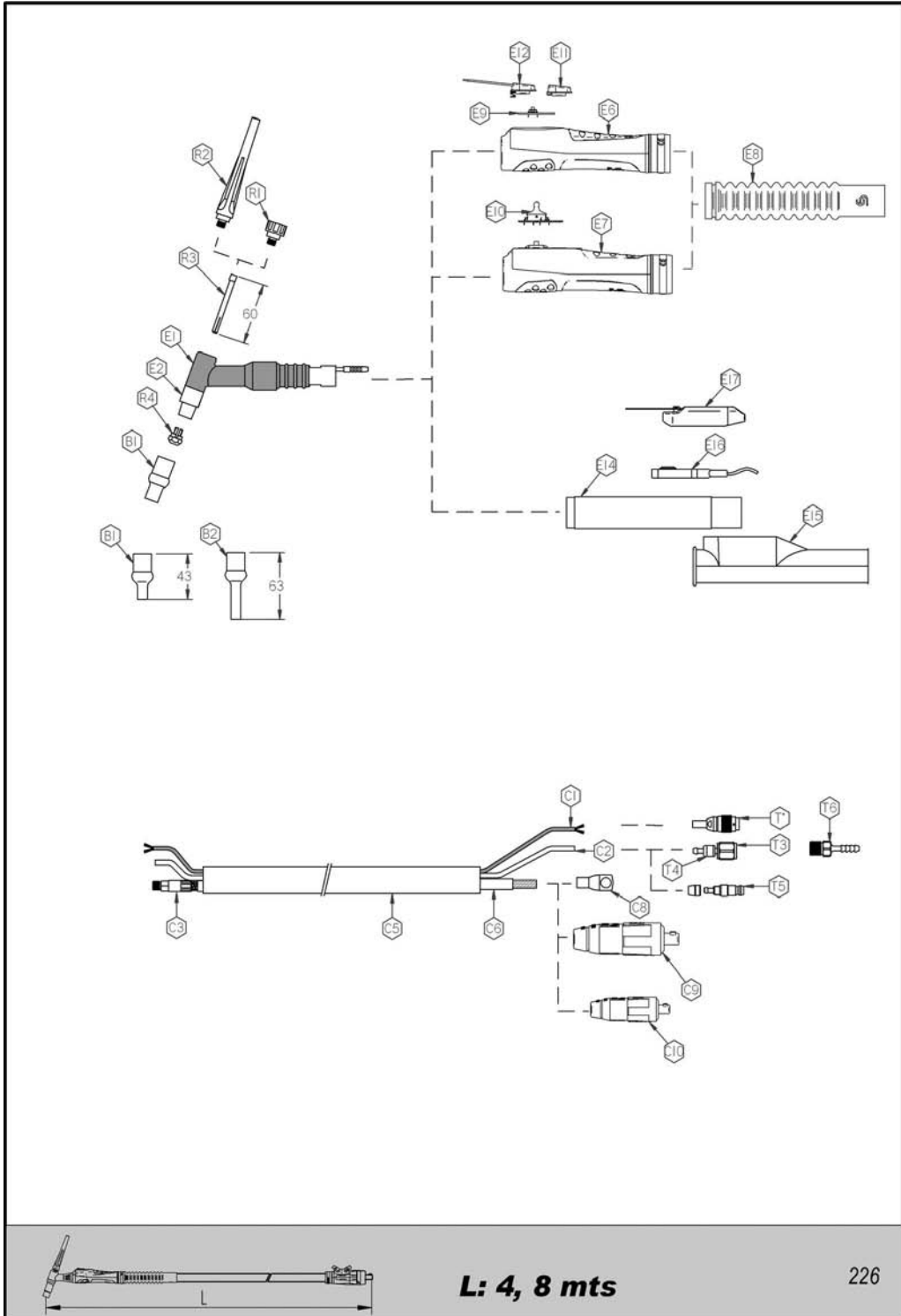
optional:
LEVER SWITCH

GUIDANCE METHODE	MANUAL
PROCESS TYPE	TIG
COOLING TYPE	GAS
TUNGSTEN DIAMETER	0,5 - 4,0 mm
GAS VOLUME	3 - 11 l/min
STRAIN COMPLIES WITH TO UNE-EN 60974/1	113V CC
TORCH LENGTH	4, 8 m
ELECTRICAL CONTROL ACTIVATION	MICROSWITCH 50 mA -24V
TEST ACCORDING TO RULES	EN 60974-7

RATING		DC	AC
RATING 100%		202A	173A
RATING 60%		260A	224A



EN 60974-7



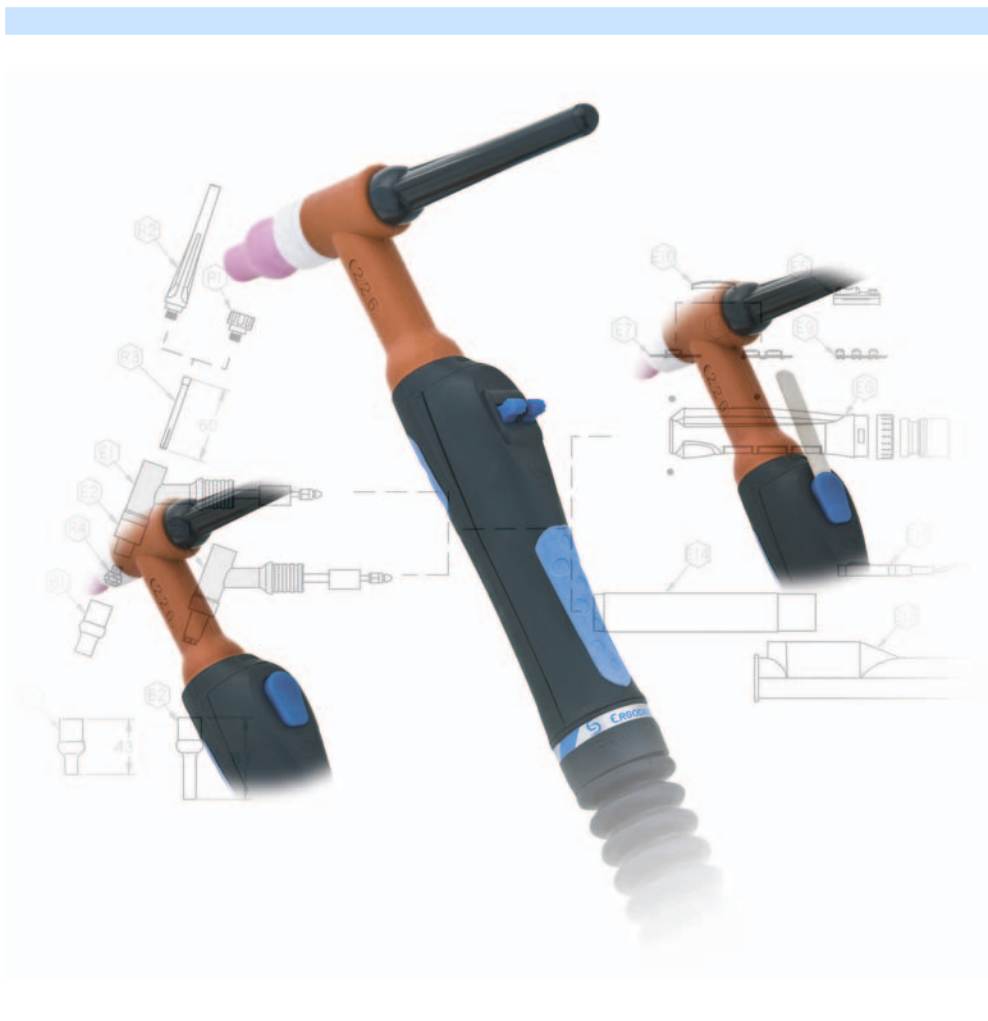
POS.	CODE	DESCRIPTION		PACKING
	252210104	BITUBE TORCH	210-A LITTLE TIG 4 MTRS.	1
	252210108	BITUBE TORCH	210-A LITTLE TIG 7,5 MTRS.	1
	253210104	BITUBE TORCH 4 SWITCHES	210-A LITTLE TIG 4 MTRS	1
	253210108	BITUBE TORCH 4 SWITCHES	210-A LITTLE TIG 8 MTRS	1
R-1	221TPLG	BACK CAP LONG	210V -403-70-	5
R-2	221TPCT	BACK CAP SHORT	210V -403-30-	5
R-3	221PZ10	COLLET Ø1'0MM.	210V -964-01- .040"	5
	221PZ16	COLLET Ø1'6MM.	210V -965-01- 1/16"	5
	221PZ20	COLLET Ø2'0MM.	210V	5
	221PZ24	COLLET Ø2'4MM.	210V -966-01- 3/32"	5
	221PZ32	COLLET Ø3'2MM.	210V -967-01- 1/8"	5
	221PZ40	COLLET Ø4'0MM.	210V -968-01- 5/32"	5
E-1	221EL01	TORCH BODY ELECTRIC	210 TEFLON	1
E-2	22102	INSULATOR	210V	5
E-3	221EL01A	TORCH BODY ELECTRIC	210 ANT.	1
E-6	20001012	HANDLE 1 TRIGGER	LITTLE TIG SR26/18W	1
E-7	20001015	HANDLE 4 TRIGGERS	LITTLE TIG SR26/18W	1
E-8	2000106	ELECTRICAL HANDEL MANTLE	LITTLE TIG	1
E-9	20001021	MICROSWITCH 1	LITTLE TIG	5
E-10	20001032	COMPLETE TRIGGER 4P	LITTLE TIG	1
E-11	20001031	1-SWITCH HANDLE SWITCH	LITTLE TIG	5
E-12	20001033	HANDLE SWITCH	LITTLE TIG	1
E-14	2269901	CILINDRIC HANDLE	SR-18W/26 -H200-	1
E-15	226EL02	FLAT MICRO LINER	SR-18W/26 -607853-BL1	1
E-16	29902	MICROSWITCH FLAT TIG	-SW1F-	5
E-17	299022	HANDLE SWITCH	-SW4-25-	1
R-4	221GU10	GUIDE Ø1'0MM.	210V -961-41- .040"	5
	221GU16	GUIDE Ø1'6MM.	210V -961-51- 1/16"	5
	221GU24	GUIDE Ø2'4MM.	210V -961-61- 3/32"	5
	221GU32	GUIDE Ø3'2MM.	210V -961-71- 1/8"	5
	221GU40	GUIDE Ø4'0MM.	210V -961-81- 5/32"	5
B-1	22130	CERAMIC CUP	210V -130-00- #4 1/4"	10
	22130O	CERAMIC CUP	210V -130-00- #4 1/4" OR/TC	10
	22131	CERAMIC CUP	210V -131-00- #5 5/16"	10
	22131O	CERAMIC CUP	210V -131-00- #5 5/16" OR/TC	10
	22132	CERAMIC CUP	210V -132-00- #6 3/8"	10
	22132O	CERAMIC CUP	210V -132-00- #6 3/8" OR/TC	10
	22133	CERAMIC CUP	210V -133-00- #7 7/16"	10
	22133O	CERAMIC CUP	210V -133-00- #7 7/16" OR/TC	10
	22134	CERAMIC CUP	210V -134-00- #8 1/2"	10
	22134O	CERAMIC CUP	210V -134-00- #8 1/2" OR/TC	10
	22135	CERAMIC CUP	210V -135-00- #9 9/16"	10
	22135O	CERAMIC CUP	210V -135-00- #9 9/16" OR/TC	10
	22136	CERAMIC CUP	210V -136-00- #10 1/4"	10
	22136O	CERAMIC CUP	210V -136-00- #10 1/4" OR/TC	10
B-2	2213007	CERAMIC CUP LONG	210V -130-07- #4 1/4"	10
	2213107	CERAMIC CUP LONG	210V -131-07- #5 5/16"	10
	2213207	CERAMIC CUP LONG	210V -132-07- #6 3/8"	10
	2213307	CERAMIC CUP LONG	210V -133-07- #7 7/16"	10
	2213407	CERAMIC CUP LONG	210V -134-07- #8 1/2"	10
	2213507	CERAMIC CUP LONG	210V -135-07- #9 9/16"	10

WELDING TORCHES

LITTLE TIG electrical

TIG 226

POS.	CODE	DESCRIPTION		PACKING
C-1	0299CB	BIPOLAR CABLE Ø0.75 MM	TIG	100
C-2	299TG36	CABLE PVC BLACK FOR MTRS.	Ø3*6MM.	100
	299TG36B	CABLE PVC WHITE FOR MTRS.	Ø3*6MM.	100
C-3	221CAD	PLUG CABLE FRONT	210V	5
C-5	08F2225	LINING EXTERIOR	IMPACT SR-26V/SR-18WV	40
C-6	0221CS20	UNIPOLAR RED CABLE 1*25		100
C-8	221CAT	PLUG CABLE REAR	210V Ø25/12MM.	5
C-9	4AM1025	CABLE PLUG	10/25.	5 / 25
C-10	4AM3550	CABLE PLUG	35/50.	5 / 10
T-3	299TG2	REAR NUT GAS TIG NICKEL	1/4GAS	10
T-4	299TG88	REAR NIPPLE GAS TIG	Ø3*6MM.	10
T-5	145TA88A	PLUG FOR CENTRAL CONNECTOR 3*6MM. EM-401W/501W		10
T-6	221PG	EXTENDER TUBE GAS	210V/226V	10
T-*	299E****	CHECK IN ACCESSORIES	(PLUGS)	1



WELDING
TORCHES

LITTLE TIG
electrical

TIG

424/428

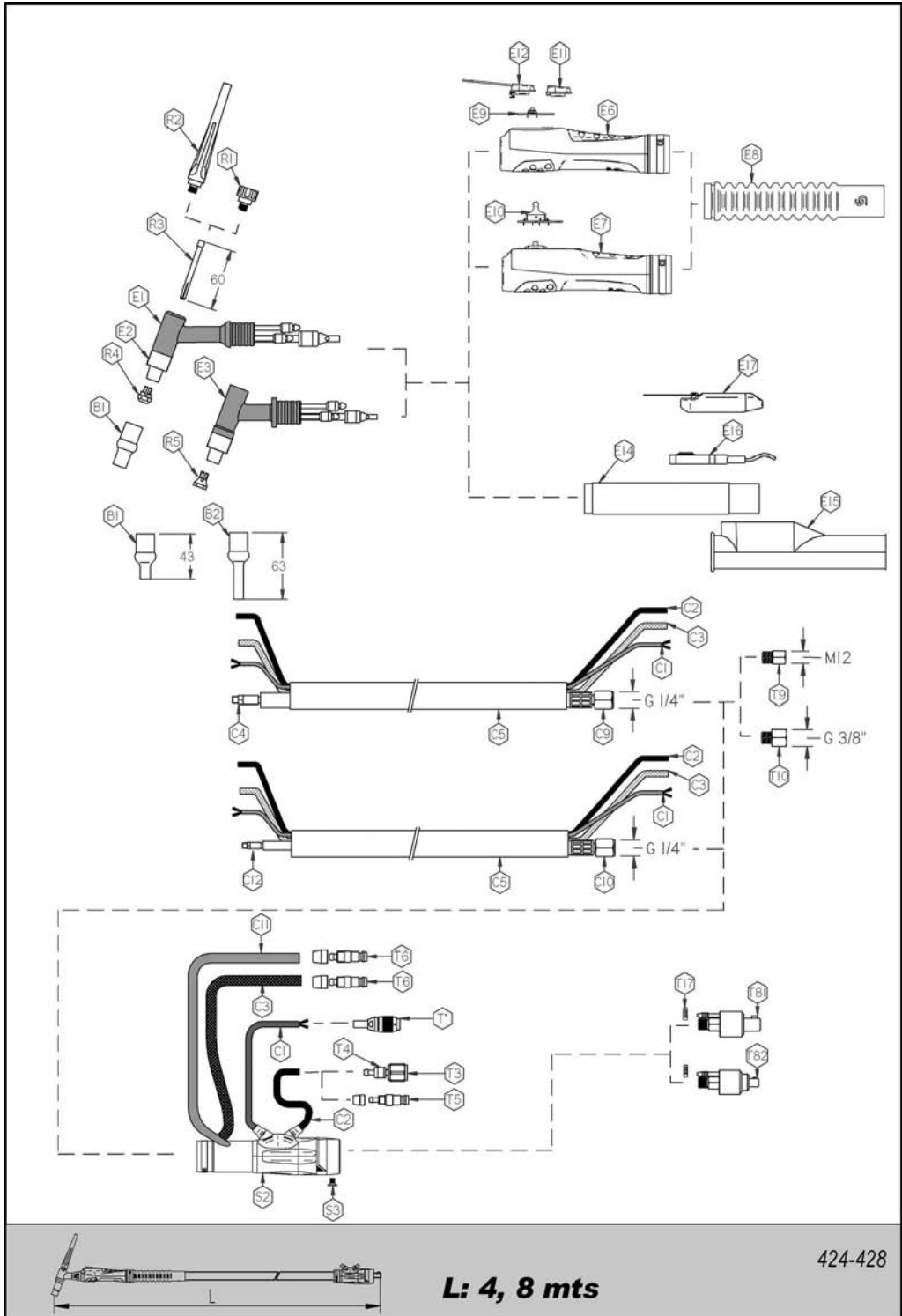


optional:
LEVER SWITCH

GUIDANCE METHODE	MANUAL
PROCESS TYPE	TIG
COOLING TYPE	LIQUIDE
MIN - MAX COOLANT VOLUME	1.4 l/min
MIN - MAX COOLANT PREASSURE	2.0 - 3.5 bar
TUNGSTEN DIAMETER	0.5 - 4.8 mm / 0.5 - 4.0
GAS VOLUME	3 - 11 l/min
STRAIN COMPLIES WITH TO UNE-EN 60974/1	113V DC
TORCH LENGTH	4, 8 m
ELECTRICAL CONTROL ACTIVATION	MICROSWITCH 50 mA -24V
TEST ACCORDING TO RULES	EN 60974-7

RATING		DC	AC
RATING 100%		387A / 271A	330A / 230A
RATING 60%		500A / 350A	431A / 300A

CE
EN 60974-7



POS.	CODE	DESCRIPTION		PACKING
	252420304	COAXIAL TORCH	SR-424W LITTLE TIG 7.5MT 35/50	1
	252420308	COAXIAL TORCH	SR-424W LITTLE TIG 7.5MT 35/50	1
	252480304	COAXIAL TORCH	SR-482W LITTLE TIG 4 MT 35/50	1
	252480308	COAXIAL TORCH	SR-428W LITTLE TIG 7.5MT 35/50	1
	253420304	COAXIAL TORCH 4 SWITCHES	SR-424W LITTLE TIG 4 MTR 35/50	1
	253420308	COAXIAL TORCH 4 SWITCHES	SR-424W LITTLE TIG 7.5M 35/50	1
	253480304	COAXIAL TORCH 4 SWITCHES	SR-428W LITTLE TIG 4 MT 35/50	1
	253480308	COAXIAL TORCH 4 SWITCHES	SR-428W LITTLE TIG 7.5MT 35/50	1
R-1	221TPLG1	BACK CAP LONG	226V -411-70-	5
R-2	221TPCT1	BACK CAP SHORT	226V -411-30-	5
R-3	221PZ10	COLLET Ø1'0MM.	210V -964-01- .040"	5
	221PZ16	COLLET Ø1'6MM.	210V -965-01- 1/16"	5
	221PZ20	COLLET Ø2'0MM.	210V	5
	221PZ24	COLLET Ø2'4MM.	210V -966-01- 3/32"	5
	221PZ32	COLLET Ø3'2MM.	210V -967-01- 1/8"	5
	221PZ40	COLLET Ø4'0MM.	210V -968-01- 5/32"	5
E-1	242EL01	TORCH BODY ELECTRIC	SR-424W -424-00-	1
E-2	22102	INSULATOR	210V	5
E-3	2428EL01	TORCH BODY ELECTRIC	SR-428W -428-00-	1
E-6	20001012	HANDLE 1 TRIGGER	LITTLE TIG SR26/18W	1
E-7	20001015	HANDLE 4 TRIGGERS	LITTLE TIG SR26/18W	1
E-8	2000106	ELECTRICAL HANDEL MANTLE	LITTLE TIG	1
E-9	20001021	MICROSWITCH 1	LITTLE TIG	5
E-10	20001032	COMPLETE TRIGGER 4P	LITTLE TIG	1
E-11	20001031	1-SWITCH HANDLE SWITCH	LITTLE TIG	5
E-12	20001033	HANDLE SWITCH	LITTLE TIG	1
E-14	2269901	CILINDRIC HANDLE	SR-18W/26 -H200-	1
E-15	226EL02	FLAT MICRO LINER	SR-18W/26 -607853-BL1	1
E-16	29902	MICROSWITCH FLAT TIG	-SW1F-	5
E-17	299022	HANDLE SWITCH	-SW4-25-	1
R-4	221GU10	GUIDE Ø1'0MM.	210V -961-41- .040"	5
	221GU16	GUIDE Ø1'6MM.	210V -961-51- 1/16"	5
	221GU24	GUIDE Ø2'4MM.	210V -961-61- 3/32"	5
	221GU32	GUIDE Ø3'2MM.	210V -961-71- 1/8"	5
	221GU40	GUIDE Ø4'0MM.	210V -961-81- 5/32"	5
R-5	242GU16	GUIDE Ø1'6MM.	SR-424W -221-0-	5
	242GU24	GUIDE Ø2'4MM.	SR-424W -222-0-	5
	242GU32	GUIDE Ø3'2MM.	SR-424W -223-0-	5
	242GU40	GUIDE Ø4'0MM.	SR-424W -224-0-	5
B-1	22130	CERAMIC CUP	210V -130-00- #4 1/4"	10
	22130O	CERAMIC CUP	210V -130-00- #4 1/4" OR/TC	10
	22131	CERAMIC CUP	210V -131-00- #5 5/16"	10
	22131O	CERAMIC CUP	210V -131-00- #5 5/16" OR/TC	10
	22132	CERAMIC CUP	210V -132-00- #6 3/8"	10
	22132O	CERAMIC CUP	210V -132-00- #6 3/8" OR/TC	10
	22133	CERAMIC CUP	210V -133-00- #7 7/16"	10
	22133O	CERAMIC CUP	210V -133-00- #7 7/16" OR/TC	10
	22134	CERAMIC CUP	210V -134-00- #8 1/2"	10
	22134O	CERAMIC CUP	210V -134-00- #8 1/2" OR/TC	10
	22135	CERAMIC CUP	210V -135-00- #9 9/16"	10
	22135O	CERAMIC CUP	210V -135-00- #9 9/16" OR/TC	10

POS.	CODE	DESCRIPTION		PACKING
	22136	TCERAMIC CUP	210V -136-00- #10 1/4"	10
	221360	CERAMIC CUP	210V -136-00- #10 1/4" OR/TC	10
B-2	2213007	CERAMIC CUP LONG	210V -130-07- #4 1/4"	10
	2213107	CERAMIC CUP LONG	210V -131-07- #5 5/16"	10
	2213207	CERAMIC CUP LONG	210V -132-07- #6 3/8"	10
	2213307	CERAMIC CUP LONG	210V -133-07- #7 7/16"	10
	2213407	CERAMIC CUP LONG	210V -134-07- #8 1/2"	10
	2213507	CERAMIC CUP LONG	210V -135-07- #9 9/16"	10
C-1	0299CB	BIPOLAR CABLE Ø0.75 MM	TIG	100
C-2	145TG99	COOL HOSE BLACK P.V.C.	Ø5*8MM.	100
C-3	145TA99F	COOL HOSE BLUE P.V.C.	Ø5*8MM.	100
C-4	242CAD	CABLE ASSEMBLY TERMINAL	SR-424W -723-01-	5
C-5	08F2225	LINING EXTERIOR	IMPACT SR-26V/SR-18WV	40
C-9	5140225	REAR CONEXION C/A TIG	25MM2 1/4G	5
C-10	5140216	REAR CONEXION C/A TIG	16MM2 1/4G	5
C-11	145TA99C	COOL HOSE RED P.V.C.	Ø5*8MM.	100
C-12	248CAD	PLUG POWER CABLE	SR-428W	5
T-3	299TG2	REAR NUT GAS TIG NICKEL	1/4GAS	10
T-4	299TG88	REAR NIPPLE GAS TIG	Ø3*6MM.	10
T-5	145TA88A	PLUG FOR CENTRAL CONNECTOR Ø3*6MM.	EM-401W/501W	10
T-6	145TA88	PLUG FOR CENTRAL CONNECTOR Ø5*8MM.	EM-401W/501W	10
T-81	200002602	COAXIAL CONECTION 35/50 1/4G	LITTLE TIG	1
T-82	200002601	COAXIAL CONECTION 10/25 1/4G	LITTLE TIG	1
T-9	299R1214	REDUCTION TIG	1/4GM - M12/100H	1
	5120216	REAR CONEX. C/A TIG	16MM2 M/12*1	5
T-10	299R3814	REDUCTION TIG	1/4GM - G3/8H	1
	5380216	REAR CONEX C/A TIG	16MM2 3/8G	5
T-17	145T095	HOSE CLAMP	-09'5-	10
T-*	299E****	CHECK IN ACCESSORIES	(PLUGS)	1
S-2	20001242	SUPPORT WATER CONECTION	LITTLE TIG	1
S-3	1EM9MZ1	SCREW CENTRAL CONNECTOR	ERGODANI EM/EX/NEO	10

