

GENERAL

CATALOGUE

MIG/MAG

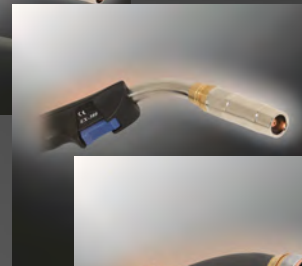
PULSER



COLD PRESSURE

PULSER  
SYSTEM COOLING

PROFESSIONAL RANGE



Edic 2014. Ref01



F O R A D V A N C E D W E L D E R S

# INDEX

## PROFESSIONAL RANGE HD PULSER

### 561 PULSER



LIQUID COOLED

550 Amp 100% CO<sub>2</sub>  
490 Amp 100% Ar+CO<sub>2</sub>

### EPR 600 P



LIQUID COOLED

600 Amp 100% CO<sub>2</sub>  
525 Amp 100% Ar+CO<sub>2</sub>

**EPR600** | PULSER  
PULSER | SYSTEM COOLING



F O R A D V A N C E D W E L D E R S



# 561 PULSER

## TECHNICAL SHEET



**LIQUID COOLED**

**550 Amp 100% CO<sub>2</sub>**

**490 Amp 100% Ar+CO<sub>2</sub>**

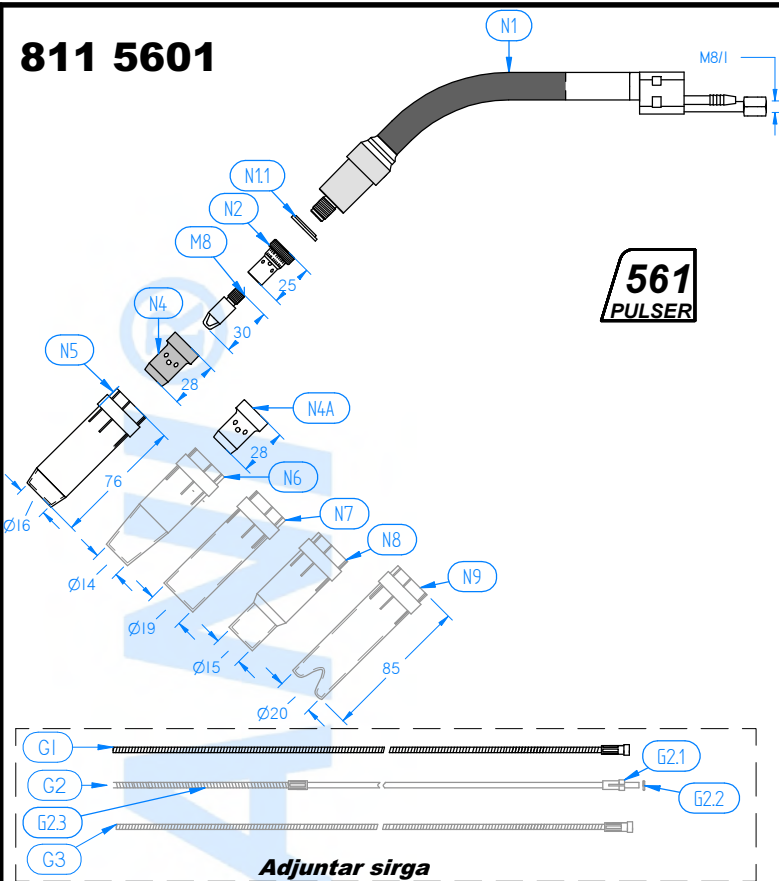


New welding torch with a revolutionary cooling system, which is lighter, more powerful and more effective, now featuring the new 561 PULSER.

This model uses standard market spare parts but the materials have been improved such as nozzle and contact tip cooling, thus achieving longer duration of upper components and increased working power.

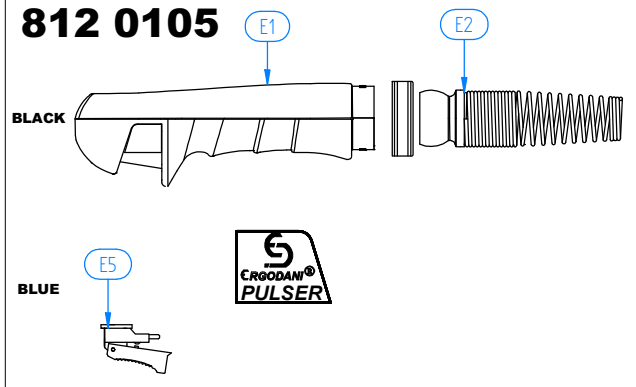
This model uses standard market spare parts but the materials have been improved such as nozzle and contact tip cooling, thus achieving longer duration of upper components and increased working power.

# 811 5601

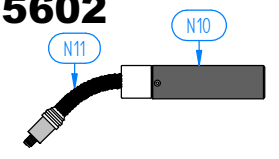


**561**  
PULSER

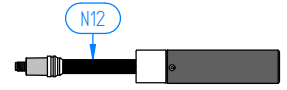
# 812 0105



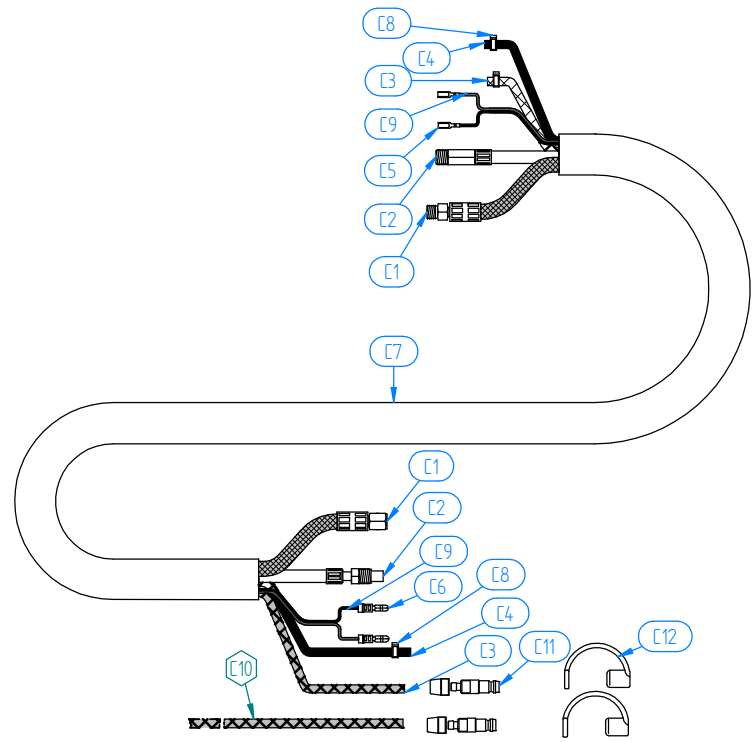
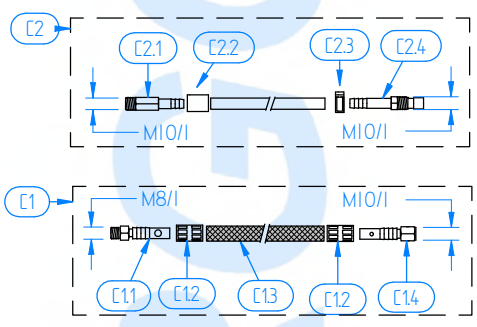
# 811 5602



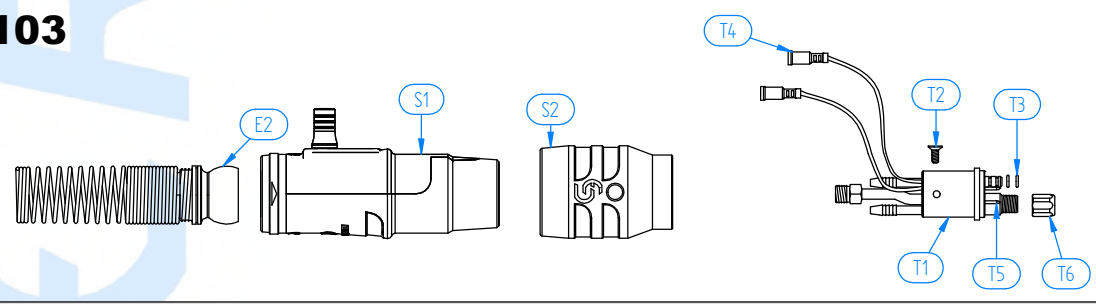
# 811 5603



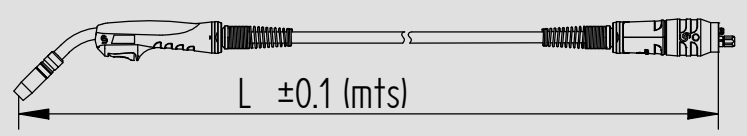
- 813 1001**
- 813 1002**
- 813 1003**
- 813 1004**
- 813 1005**



# 814 0103



**561 PULSER**



# 561PULSER

POS.	CODE	DESCRIPTION	PACK
N1	15601	SWAN NECK 561PULSER	1
N1.1	1560101	INSULATOR WASHER NECK 561PULSER	10
N2	15603M8	CONTACT TIP HOLDER 561PULSER M/8*25MM.	10
N4	14502	DIFFUSER GAS WHITE EU-501W/561PULSER	10
N4.A	14502C	DIFFUSER GAS CERAMIC EU-501W/561PULSER	10
N5	14504	STANDARD CONICAL NOZZL.ERGODAN EU-501W/561PULSER - 16MM.	5
N5	14504N	STANDARD CONICAL NOZZLE EU-501W/561PULSER - 16MM.	5
N6	14504SP	TAPERED NOZZLE EU-501W/561PULSER - 14MM.	5
N7	14504CL	CYLINDRICAL NOZZLE EU-501W/561PULSER - 19MM.	5
N8	14504BT	BOTTLE NECK NOZZLE EU-501W/561PULSER - 15MM.	5
N9	14504PT	SPOT NOZZLE EU-501W/561PULSER - 20MM.	5
N10	199EPAT	AUTOMATIC TORCHES HANDEL ERGODANI	1
N11	15601AC	45° CURVED AUTOMATIC SWAN NECK 561PULSER	1
N12	15601AR	0° STRAIGHT AUTOMATIC NECK 561PULSER	1
M8	199M808Z	ERGODANI CONTACT TIP M/8*30 - 0.8MM. CU.CR.ZR.	25
M8	199M810Z	ERGODANI CONTACT TIP M/8*30 - 1.0MM. CU.CR.ZR.	25
M8	199M812Z	ERGODANI CONTACT TIP M/8*30 - 1.2MM. CU.CR.ZR.	25
M8	199M814Z	ERGODANI CONTACT TIP M/8*30 - 1.4MM. CU.CR.ZR.	25
M8	199M816Z	ERGODANI CONTACT TIP M/8*30 - 1.6MM. CU.CR.ZR.	25
M8	199M810X	XTRODE CONTACT TIP M/8*30 - 1.0MM. DSC	10
M8	199M812X	XTRODE CONTACT TIP M/8*30 - 1.2MM. DSC	10
M8	199M816X	XTRODE CONTACT TIP M/8*30 - 1.6MM. DSC	10
E1	1EX9EP	BLACK HANDLE W.ALUMINIUM RING EX / PULSER	1
E2	19906W	SPRING & UNIVERSAL JOINT CW ERGODANI	2
E5	199EP01	BLUE SWITCH ERGODANI	5
G1	199SR02A	BLUE COATED LINER ERGODANI 0.6-0.8MM. 2.40MTS.	1
G1	199SR03A	BLUE COATED LINER ERGODANI 0.6-0.8MM. 3.40MTS.	1
G1	199SR04A	BLUE COATED LINER ERGODANI 0.6-0.8MM. 4.40MTS.	1
G1	199SR05A	BLUE COATED LINER ERGODANI 0.6-0.8MM. 5.40MTS.	1
G1	145SR02	NON COATED LINER ERGODANI 1.0-1.6MM. 2.5MTS.	1
G1	145SR03	NON COATED LINER ERGODANI 1.0-1.6MM. 3.5MTS.	1
G1	145SR04	NON COATED LINER ERGODANI 1.0-1.6MM. 4.5MTS.	1
G1	145SR05	NON COATED LINER ERGODANI 1.0-1.6MM. 5.5MTS.	1
G1	199SR02V	GREEN COATED LINER ERGODANI 2.4MM. 2.40MTS.	1
G1	199SR03V	GREEN COATED LINER ERGODANI 2.4MM. 3.40MTS.	1
G1	199SR04V	GREEN COATED LINER ERGODANI 2.4MM. 4.40MTS.	1
G1	199SR05V	GREEN COATED LINER ERGODANI 2.4MM. 5.40MTS.	1
G2	199SA102	ALUMINIUM WIRE LINER 0.8-1.0MM. 2MTS.	1
G2	199SA103	ALUMINIUM WIRE LINER 0.8-1.0MM. 3MTS.	1
G2	199SA104	ALUMINIUM WIRE LINER 0.8-1.0MM. 4MTS.	1
G2	199SA105	ALUMINIUM WIRE LINER 0.8-1.0MM. 5MTS.	1
G2	199SA202	ALUMINIUM WIRE LINER 1.2-1.6MM. 2MTS.	1
G2	199SA203	ALUMINIUM WIRE LINER 1.2-1.6MM. 3MTS.	1
G2	199SA204	ALUMINIUM WIRE LINER 1.2-1.6MM. 4MTS.	1
G2	199SA205	ALUMINIUM WIRE LINER 1.2-1.6MM. 5MTS.	1
G2.1	199SA88	COLLET LINER ALUWED/ALUM.	10
G2.2	199SA77	LINER O-RING ALUWED/ALUM.	10
G2.3	199SA1G	ALUMINIUM WIRE NECK-LINER 0.8-1.0MM.	2

# 561PULSER

POS.	CODE	DESCRIPTION	PACK
G2.3	199SA2G	ALUMINIUM WIRE NECK-LINER 1.2-1.6MM.	2
G3	145SIN102	NON COATED BRONZE LINER INOX. 0.6-0.8MM. 2.5MTS.	1
G3	145SIN103	NON COATED BRONZE LINER INOX. 0.6-0.8MM. 3.5MTS.	1
G3	145SIN104	NON COATED BRONZE LINER INOX. 0.6-0.8MM. 4.5MTS.	1
G3	145SIN105	NON COATED BRONZE LINER INOX. 0.6-0.8MM. 5.5MTS.	1
G3	145SIN202	NON COATED BRONZE LINER INOX. 1.0-1.2MM. 2.5MTS.	1
G3	145SIN203	NON COATED BRONZE LINER INOX. 1.0-1.2MM. 3.5MTS.	1
G3	145SIN204	NON COATED BRONZE LINER INOX. 1.0-1.2MM. 4.5MTS.	1
G3	145SIN205	NON COATED BRONZE LINER INOX. 1.0-1.2MM. 5.5MTS.	1
G3	145SIN302	NON COATED BRONZE LINER INOX. 1.6MM. 2.5MTS.	1
G3	145SIN303	NON COATED BRONZE LINER INOX. 1.6MM. 3.5MTS.	1
G3	145SIN304	NON COATED BRONZE LINER INOX. 1.6MM. 4.5MTS.	1
G3	145SIN305	NON COATED BRONZE LINER INOX. 1.6MM. 5.5MTS.	1
C1	145CA01	POWER/WATER CABLE ERGODANI 1.5MTS.	1
C1	145CA02	POWER/WATER CABLE ERGODANI 2MTS.	1
C1	145CA03	POWER/WATER CABLE ERGODANI 3MTS.	1
C1	145CA04	POWER/WATER CABLE ERGODANI 4MTS.	1
C1	145CA05	POWER/WATER CABLE ERGODANI 5MTS.	1
C1.1	5450116	P/W FRONT CONNECTION ERGODANI (16MM2)	5
C1.2	145CA77	P/W SLEEVE ERGODANI (14ID.MM.)	10
C1.3	145CA91	P/W HOSE PVC BLACK 9*13MM.	100
C1.3	145CA93	P/W HOSE RUBBER RED ERGODANI 9*13MM.	20
C1.4	5450216	P/W REAR CONNECTION ERGODANI (16MM2)	5
C2	145CS01	LINER HOSE ERGODANI 1.5MTS.	1
C2	145CS02	LINER HOSE ERGODANI 2MTS.	1
C2	145CS03	LINER HOSE ERGODANI 3MTS.	1
C2	145CS04	LINER HOSE ERGODANI 4MTS.	1
C2	145CS05	LINER HOSE ERGODANI 5MTS.	1
C2.1	145CS88D	L/H FRONT CONNECTION ERGODANI	5
C2.2	145CS77	L/H SLEEVE ERGODANI (10ID.MM.)	10
C2.3	145T105	HOSE CLAMP 10.5	10
C2.4	145CS88T	L/H REAR CONNECTION (2PCS) ERGODANI	5
C3	145TA99F	BRAIDED HOSE PVC BLUE 5*8MM.	100
C3	145TA	BRAIDED HOSE RUBBER BLUE 5*8MM.	20
C4	145TG99	BRAIDED HOSE PVC BLACK 5*8MM.	100
C4	145TN	BRAIDED HOSE RUBBER BLACK 5*8MM.	20
C4	145TG58	HOSE PVC BLACK 5*8MM.	200
C5	199FT01	CABLE FRONT TERMINAL	25
C6	199FT02	CABLE REAR TERMINAL	25
C7	4FN25	NEOPRENE COVER 25*28MM.	20
C8	145T090	HOSE CLAMP 09.0	10
C8	145T095	HOSE CLAMP 09.5	10
C9	145CB	SWITCH CABLE CW	100
C10	145TA99C	BRAIDED HOSE PVC RED 5*8MM.	100
C10	145TR	BRAIDED HOSE RUBBER RED 5*8MM.	20
C11	145TA88	PLUG NIPPLE HOSE 5*8MM.	10
C12	145TA88TA	BLUE COVER HOSE 5*8MM.	10
C12	145TA88TR	RED COVER HOSE 5*8MM.	10



# EPR 600 P

## TECHNICAL SHEET



**LIQUID COOLED**

**600 Amp 100% CO<sub>2</sub>**

**525 Amp 100% Ar+CO<sub>2</sub>**

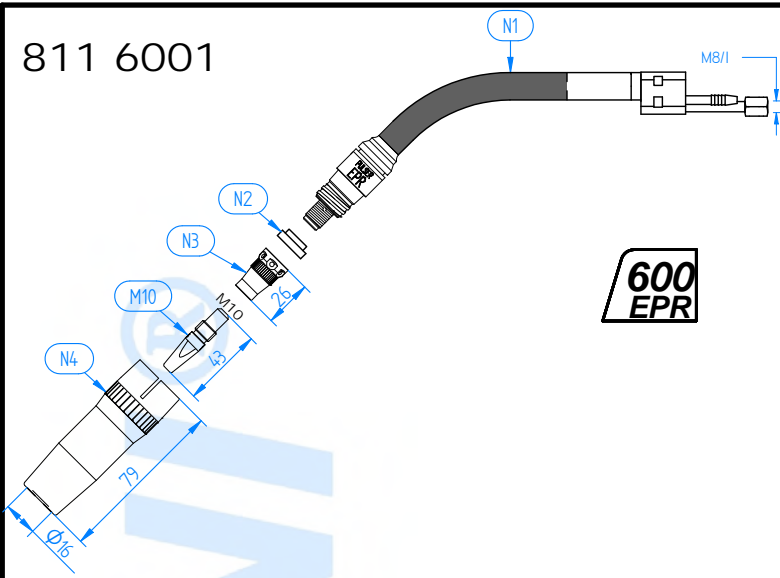
New welding torch with a revolutionary cooling system, which is lighter, more powerful and more effective, now featuring the new EPR 600P with cooled system PULSER.

This model uses spare parts for torches used in robot welding with 24-hours working cycles. This technology is applied in a manual welding torch to achieve infinitely better duration of spare parts than in other torches.

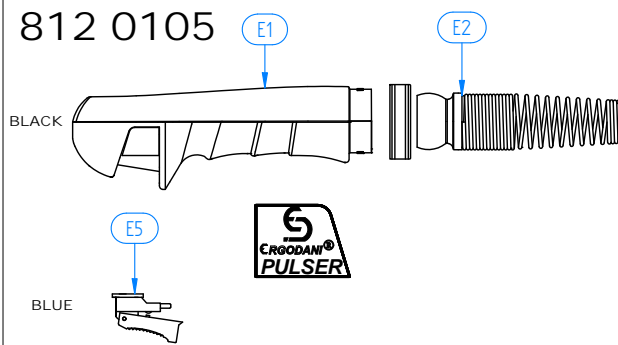
This model works particularly well with soft welding wires such as aluminium alloys and CuSi thanks to its powerful cooling of the contact tip, increasing the movement of the welding wire.



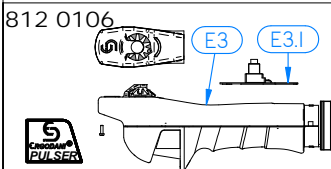
811 6001



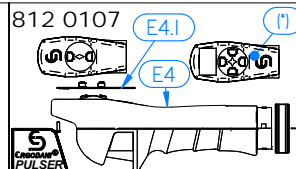
812 0105



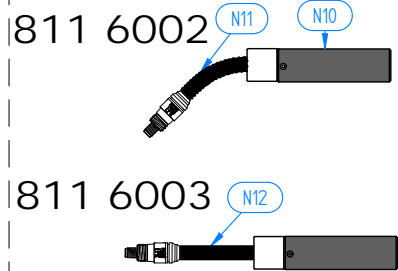
812 0106



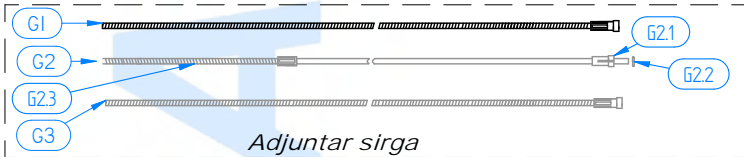
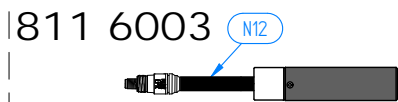
812 0107



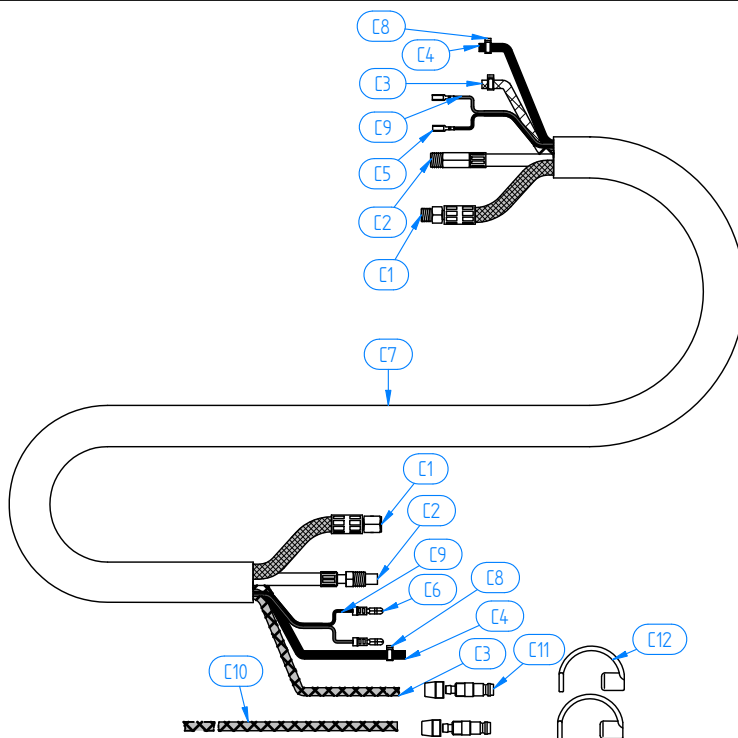
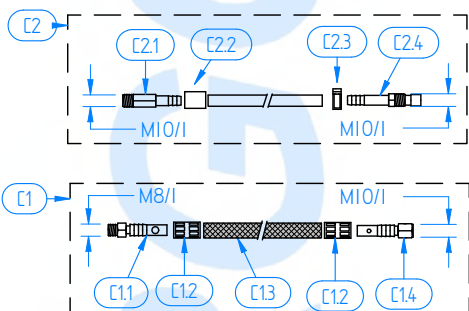
811 6002



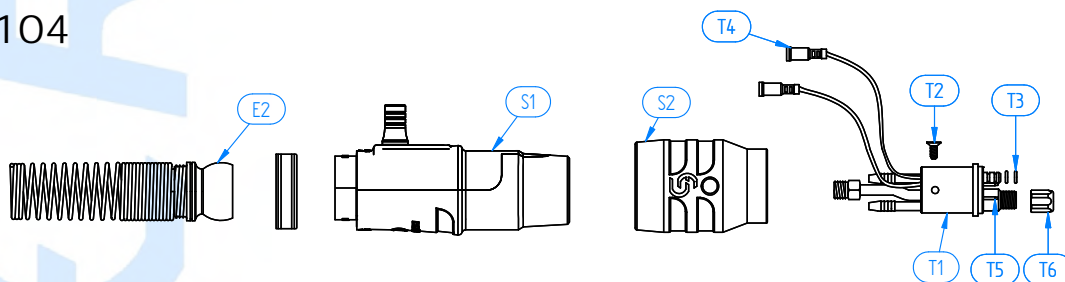
811 6003



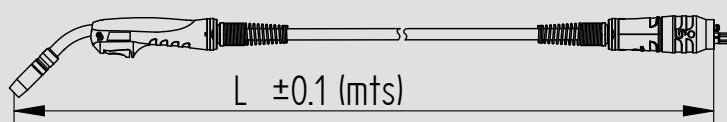
- 813 1001
- 813 1002
- 813 1003
- 813 1004
- 813 1005



814 0104



EPR 600 P



# EPR-600P

POS.	CODE	DESCRIPTION	PACK
N1	16001	SWAN NECK EPR-600P	1
N2	1600101	INSULATOR WASHER NECK EPR-600	10
N3	16002	CONTACT TIP HOLDER EPR-600 M/10*26MM.	10
N4	16004	STANDARD NOZZLE EPR-600 - 16MM.	5
N10	199EPAT	AUTOMATIC TORCHES HANDEL ERGODANI	1
N11	16001AC	45° CURVED AUTOMATIC SWAN NECK EPR-600P	1
N12	16001AR	0° STRAIGHT AUTOMATIC NECK EPR-600P	1
M10	160M108	EXR CONTACT TIP M/10*43 - 0.8MM. CU.CR.ZR.	10
M10	160M109	EXR CONTACT TIP M/10*43 - 0.9MM. CU.CR.ZR.	10
M10	160M110	EXR CONTACT TIP M/10*43 - 1.0MM. CU.CR.ZR.	10
M10	160M112	EXR CONTACT TIP M/10*43 - 1.2MM. CU.CR.ZR.	10
M10	160M114	EXR CONTACT TIP M/10*43 - 1.4MM. CU.CR.ZR.	10
M10	160M116	EXR CONTACT TIP M/10*43 - 1.6MM. CU.CR.ZR.	10
M10	160M124	EXR CONTACT TIP M/10*43 - 2.4MM. CU.CR.ZR.	10
E1	1EX9EP	BLACK HANDLE W.ALUMINIUM RING EX / PULSER	1
E2	19906W	SPRING & UNIVERSAL JOINT CW ERGODANI	2
E5	199EP01	BLUE SWITCH ERGODANI	5
E3	1EIP9EP	BLACK HANDLE W.ALUMINIUM RING ERGODANI EI-P	1
E3.1	1EIP9EP1	REGULATION CIRCUIT ERGODANI EI-P	1
E4	1EID9EP	BLACK HANDLE W.ALUMINIUM RING ERGODANI EI-D	1
E4.1	1EID9EP1	REGULATION CIRCUIT ERGODANI EI-D	1
(*)	1EII9EP	BLACK HANDLE W.ALUMINIUM RING ERGODANI EI-I	1
G1	199SR02A	BLUE COATED LINER ERGODANI 0.6-0.8MM. 2.40MTS.	1
G1	199SR03A	BLUE COATED LINER ERGODANI 0.6-0.8MM. 3.40MTS.	1
G1	199SR04A	BLUE COATED LINER ERGODANI 0.6-0.8MM. 4.40MTS.	1
G1	199SR05A	BLUE COATED LINER ERGODANI 0.6-0.8MM. 5.40MTS.	1
G1	145SR02	NON COATED LINER ERGODANI 1.0-1.6MM. 2.5MTS.	1
G1	145SR03	NON COATED LINER ERGODANI 1.0-1.6MM. 3.5MTS.	1
G1	145SR04	NON COATED LINER ERGODANI 1.0-1.6MM. 4.5MTS.	1
G1	145SR05	NON COATED LINER ERGODANI 1.0-1.6MM. 5.5MTS.	1
G1	199SR02V	GREEN COATED LINER ERGODANI 2.4MM. 2.40MTS.	1
G1	199SR03V	GREEN COATED LINER ERGODANI 2.4MM. 3.40MTS.	1
G1	199SR04V	GREEN COATED LINER ERGODANI 2.4MM. 4.40MTS.	1
G1	199SR05V	GREEN COATED LINER ERGODANI 2.4MM. 5.40MTS.	1
G2	199SA102	ALUMINIUM WIRE LINER 0.8-1.0MM. 2MTS.	1
G2	199SA103	ALUMINIUM WIRE LINER 0.8-1.0MM. 3MTS.	1
G2	199SA104	ALUMINIUM WIRE LINER 0.8-1.0MM. 4MTS.	1
G2	199SA105	ALUMINIUM WIRE LINER 0.8-1.0MM. 5MTS.	1
G2	199SA202	ALUMINIUM WIRE LINER 1.2-1.6MM. 2MTS.	1
G2	199SA203	ALUMINIUM WIRE LINER 1.2-1.6MM. 3MTS.	1
G2	199SA204	ALUMINIUM WIRE LINER 1.2-1.6MM. 4MTS.	1
G2	199SA205	ALUMINIUM WIRE LINER 1.2-1.6MM. 5MTS.	1
G2.1	199SA88	COLLET LINER ALUWED/ALUM.	10
G2.2	199SA77	LINER O-RING ALUWED/ALUM.	10
G2.3	199SA1G	ALUMINIUM WIRE NECK-LINER 0.8-1.0MM.	2
G2.3	199SA2G	ALUMINIUM WIRE NECK-LINER 1.2-1.6MM.	2
G3	145SIN102	NON COATED BRONZE LINER INOX. 0.6-0.8MM. 2.5MTS.	1
G3	145SIN103	NON COATED BRONZE LINER INOX. 0.6-0.8MM. 3.5MTS.	1

# EPR-600P

POS.	CODE	DESCRIPTION	PACK
G3	145SIN104	NON COATED BRONZE LINER INOX. 0.6-0.8MM. 4.5MTS.	1
G3	145SIN105	NON COATED BRONZE LINER INOX. 0.6-0.8MM. 5.5MTS.	1
G3	145SIN202	NON COATED BRONZE LINER INOX. 1.0-1.2MM. 2.5MTS.	1
G3	145SIN203	NON COATED BRONZE LINER INOX. 1.0-1.2MM. 3.5MTS.	1
G3	145SIN204	NON COATED BRONZE LINER INOX. 1.0-1.2MM. 4.5MTS.	1
G3	145SIN205	NON COATED BRONZE LINER INOX. 1.0-1.2MM. 5.5MTS.	1
G3	145SIN302	NON COATED BRONZE LINER INOX. 1.6MM. 2.5MTS.	1
G3	145SIN303	NON COATED BRONZE LINER INOX. 1.6MM. 3.5MTS.	1
G3	145SIN304	NON COATED BRONZE LINER INOX. 1.6MM. 4.5MTS.	1
G3	145SIN305	NON COATED BRONZE LINER INOX. 1.6MM. 5.5MTS.	1
C1	145CA01	POWER/WATER CABLE ERGODANI 1.5MTS.	1
C1	145CA02	POWER/WATER CABLE ERGODANI 2MTS.	1
C1	145CA03	POWER/WATER CABLE ERGODANI 3MTS.	1
C1	145CA04	POWER/WATER CABLE ERGODANI 4MTS.	1
C1	145CA05	POWER/WATER CABLE ERGODANI 5MTS.	1
C1.1	5450116	P/W FRONT CONNECTION ERGODANI (16MM2)	5
C1.2	145CA77	P/W SLEEVE ERGODANI (14ID.MM.)	10
C1.3	145CA91	P/W HOSE PVC BLACK 9*13MM.	100
C1.3	145CA93	P/W HOSE RUBBER RED ERGODANI 9*13MM.	20
C1.4	5450216	P/W REAR CONNECTION ERGODANI (16MM2)	5
C2	145CS01	LINER HOSE ERGODANI 1.5MTS.	1
C2	145CS02	LINER HOSE ERGODANI 2MTS.	1
C2	145CS03	LINER HOSE ERGODANI 3MTS.	1
C2	145CS04	LINER HOSE ERGODANI 4MTS.	1
C2	145CS05	LINER HOSE ERGODANI 5MTS.	1
C2.1	145CS88D	L/H FRONT CONNECTION ERGODANI	5
C2.2	145CS77	L/H SLEEVE ERGODANI (10ID.MM.)	10
C2.3	145T105	HOSE CLAMP 10.5	10
C2.4	145CS88T	L/H REAR CONNECTION (2PCS) ERGODANI	5
C3	145TA99F	BRAIDED HOSE PVC BLUE 5*8MM.	100
C3	145TA	BRAIDED HOSE RUBBER BLUE 5*8MM.	20
C4	145TG99	BRAIDED HOSE PVC BLACK 5*8MM.	100
C4	145TN	BRAIDED HOSE RUBBER BLACK 5*8MM.	20
C4	145TG58	HOSE PVC BLACK 5*8MM.	200
C5	199FT01	CABLE FRONT TERMINAL	25
C6	199FT02	CABLE REAR TERMINAL	25
C7	4FN25	NEOPRENE COVER 25*28MM.	20
C8	145T090	HOSE CLAMP 09.0	10
C8	145T095	HOSE CLAMP 09.5	10
C9	145CB	SWITCH CABLE CW	100
C10	145TA99C	BRAIDED HOSE PVC RED 5*8MM.	100
C10	145TR	BRAIDED HOSE RUBBER RED 5*8MM.	20
C11	145TA88	PLUG NIPPLE HOSE 5*8MM.	10
C12	145TA88TA	BLUE COVER HOSE 5*8MM.	10
C12	145TA88TR	RED COVER HOSE 5*8MM.	10
E2	19906W	SPRING & UNIVERSAL JOINT CW ERGODANI	2
S1	1EX924W	CONNECT SUPPORT WITH ALUM.RING EX-221W/421W/EPR-600	1
S2	1EX925	ADAPTOR NUT -BLACK EX-270/380 // CW	1





F O R A D V A N C E D W E L D E R S

*ERGOWELD S.L. - C/bancalets, 19 - C.P.46530 - PUZOL (Valencia -Spain)- Tel:0034 961 114 007 - info@ergoweld.es*

[www.ergodani.com](http://www.ergodani.com)